

**DEPARTMENT OF THE ARMY
HEADQUARTERS, UNITED STATES ARMY ALASKA
Fort Richardson, Alaska 99505-5000**

United States Army Alaska Regulation 750-7

21 April 2006

Maintenance of Supplies and Equipment

Antispray Devices (Splash Shields)

Summary. This regulation concerning antispray devices (splash shields) has been updated. This regulation covers the requirements for, and the use of antispray devices on vehicles traveling Alaska's public roads. This regulation has been revised to reflect the change to United States Army Alaska. Several cosmetic changes have been included.

Applicability. This regulation is applicable to all units, organizations, and activities assigned or attached to the United States Army Alaska.

Supplementation. Supplementation of this regulation is prohibited without prior approval from the USARAK G-4, Maintenance Branch, APVR-RDL-M.

Interim changes. Interim changes to this regulation are not official unless they are authenticated by the director of information management. Users will destroy interim changes on their expiration dates unless sooner superseded or rescinded.

Suggested improvements. The proponent agency of this regulation is the USARAK G-4, Maintenance Branch. Users are invited to send comments and suggested improvements on Department of the Army Form 2028 (Recommended Changes to Publications and Blank Forms) directly to APVR-RDL-M.

1. Purpose

The purpose of this regulation is to prescribe command policy on antispray devices for tactical vehicles.

2. Responsibilities

a. Unit/activity commanders must ensure that all applicable vehicles under their control are equipped with serviceable splash shields. Commanders are also responsible for restricting the dispatch of vehicles not so equipped.

b. Intermediate direct support. Maintenance unit/activity commanders are responsible for requisitioning materials, fabricating, and installing splash shields per this regulation.

c. Compliance with policy expressed in this regulation will be subject to inspection by inspector general, roadside spot check inspectors, and the military police. Military police will issue traffic violation summonses to operators of applicable vehicles that are missing or have unserviceable splash shields.

3. Policy

a. All vehicles in this command, including trailers, which can reasonably be expected to operate on public roads, will be equipped with a suitable means of controlling spray. Vehicles equipped with fenders are considered to meet this criterion.

*This regulation supersedes USARAK Regulation 750-7, dated 15 August 1996.

USARAK Regulation 750-7

b. Any vehicle that does not meet the criterion in paragraph a above will not be dispatched off post under any circumstances.

c. Heavy construction equipment, such as front-end loaders, graders, and forklifts, are exempt from this regulation's provisions.

4. General

a. Alaska State Law requires that any vehicle operated on a public thoroughfare must be equipped with a suitable means of controlling spray from the roadway caused by the vehicle wheels. Most of the newer equipment are equipped with these devices. There are some older equipment still in the Command that were manufactured without any type of splash shields.

b. A field fix has been approved to equip these vehicles with a splash shield. Appendix A provides detailed guidance on the required materials, fabrication, and installation.

FOR THE COMMANDER:

OFFICIAL:



HAZEN L. BARON
COL, GS
Chief of Staff



JEFFERY R. SCHILLING
LTC, SC
Director of Information Management

DISTRIBUTION:

Copy posted at <http://www.usarak.army.mil/publications>

**Appendix A
Splash Shield Parts Requirements and Installation Instructions**

A-1. Parts required (per vehicle)

Quantity	Description	National Stock Number
2	Guard, splash, 36 inches by 24 inches	2540-00-860-0575
2	Bracket, angle, 24 inches by 1 and 1/2 inches	Fabricate
2	Retainer, 24 inches by 1 and 1/2 inches	Fabricate
10	Screw, cap, 5/16 inch by 24 inches	5306-00-225-9092
10	Nut, plain, 5/16 inch by 24 inch	5310-00-880-7744
10	Washer, lock	5310-00-407-9566

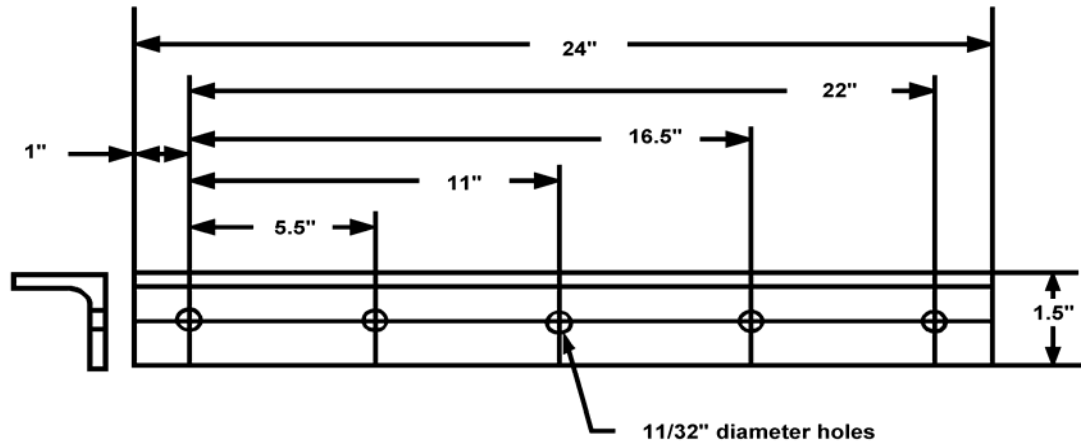
A-2. Fabrication

- a. Fabricate two mounting brackets for each vehicle as shown in with figure A-1.
- b. Fabricate two retainers for each vehicle as shown figure A-2.
- c. Fabricate two splash shields for each vehicle as shown in figure A-3.

Note: Use excess material left from M172A1 guards for other vehicles.

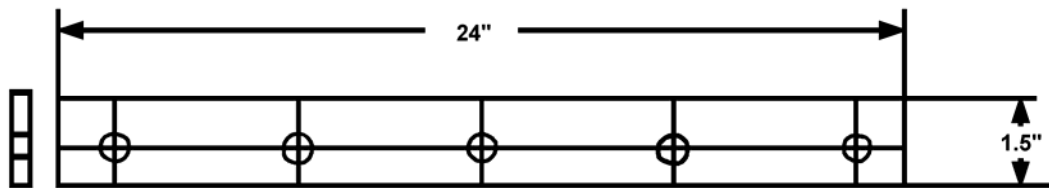
A-3. Installation

- a. Weld the brackets on the vehicles as shown in figures A-4, A-5, or A-6, as appropriate.
- b. Mount the splash shields on the brackets as shown in figure A-7.



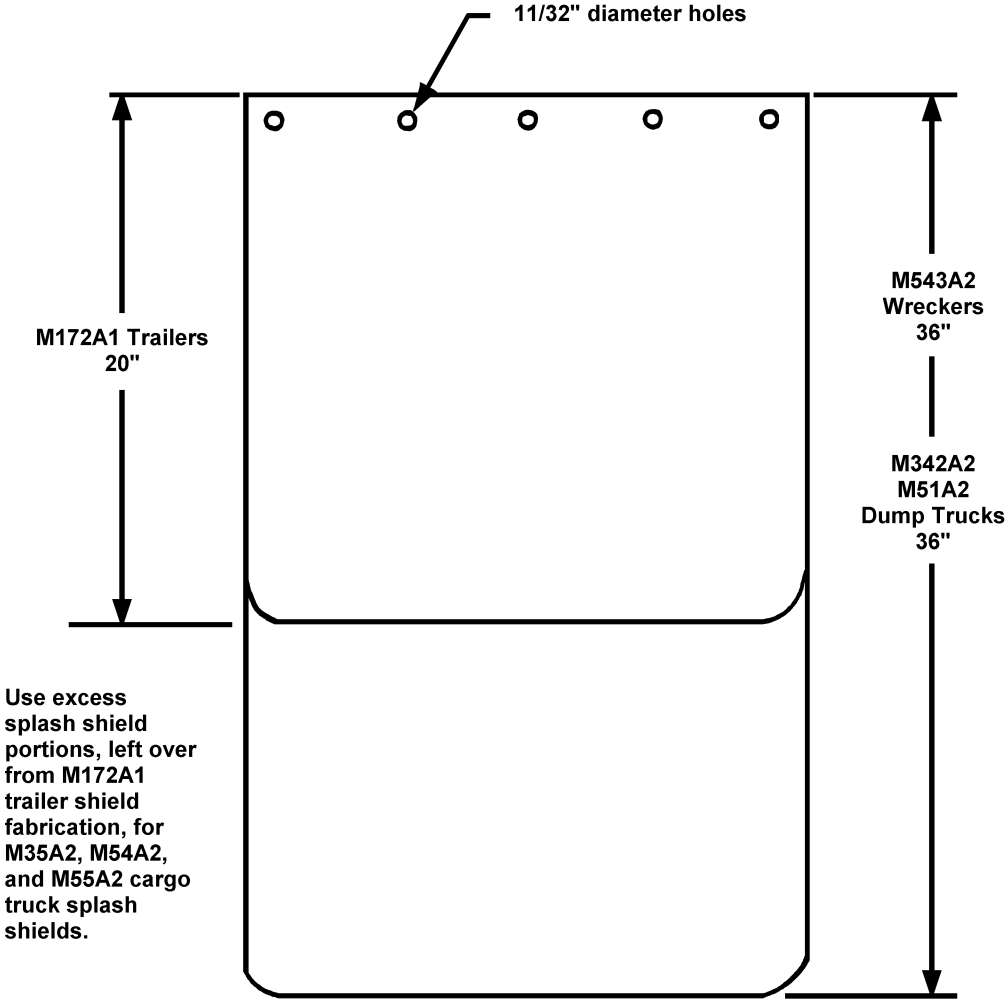
Fabricate from 3/16-inch angle iron.

Figure A-1. Fabricating splash shield brackets



Fabricate from 1/8-inch metal. Drill holes the same as in splash shield bracket.

Figure A-2. Fabricating splash shield retainers



Fabricate from Guard, splash, National Stock Number 2540-00-860-0575

Figure A-3. Fabricating splash shields

USARAK Regulation 750-7

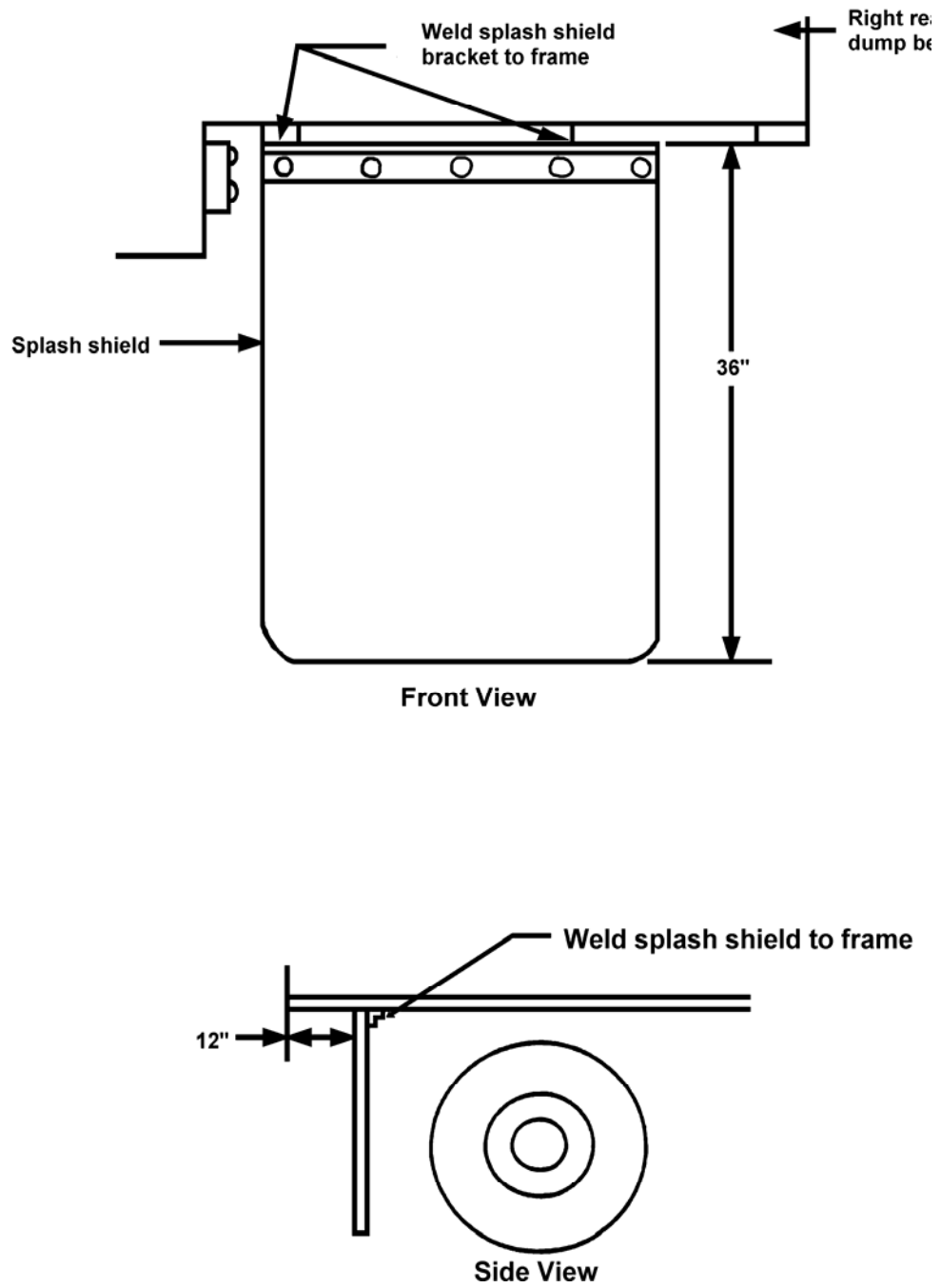
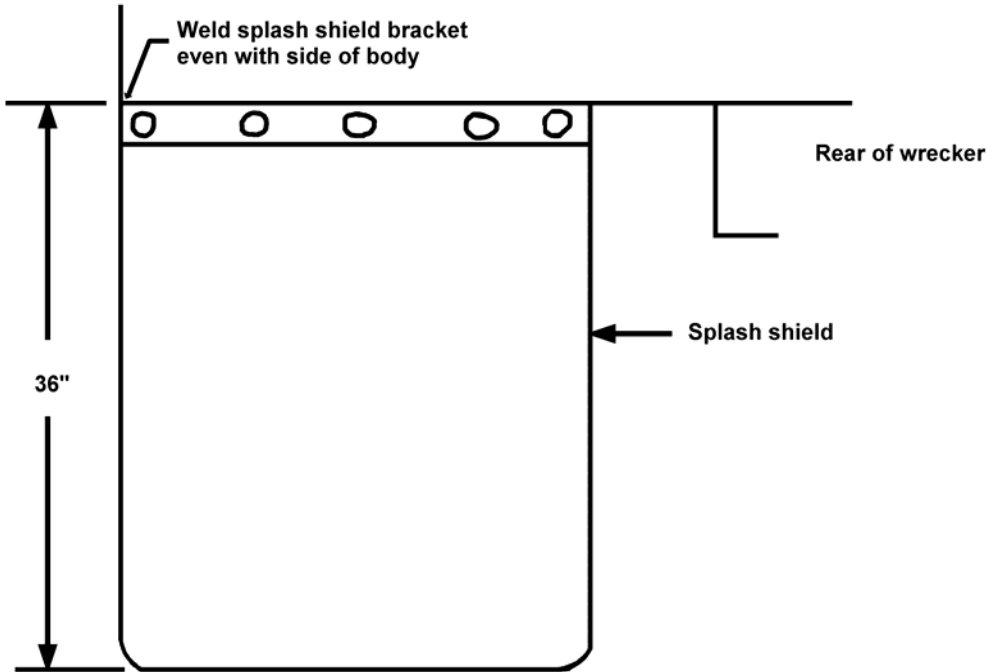
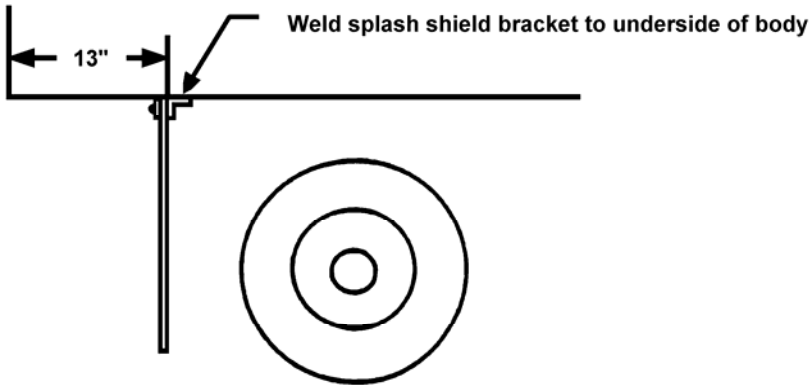


Figure A-4. Welding brackets on rear of M342A2 dump truck



Front View



Side View

Figure A-5. Welding brackets on rear of M543A2 wrecker

USARAK Regulation 750-7

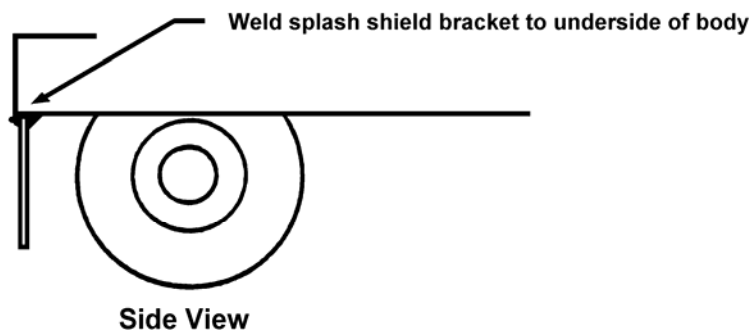
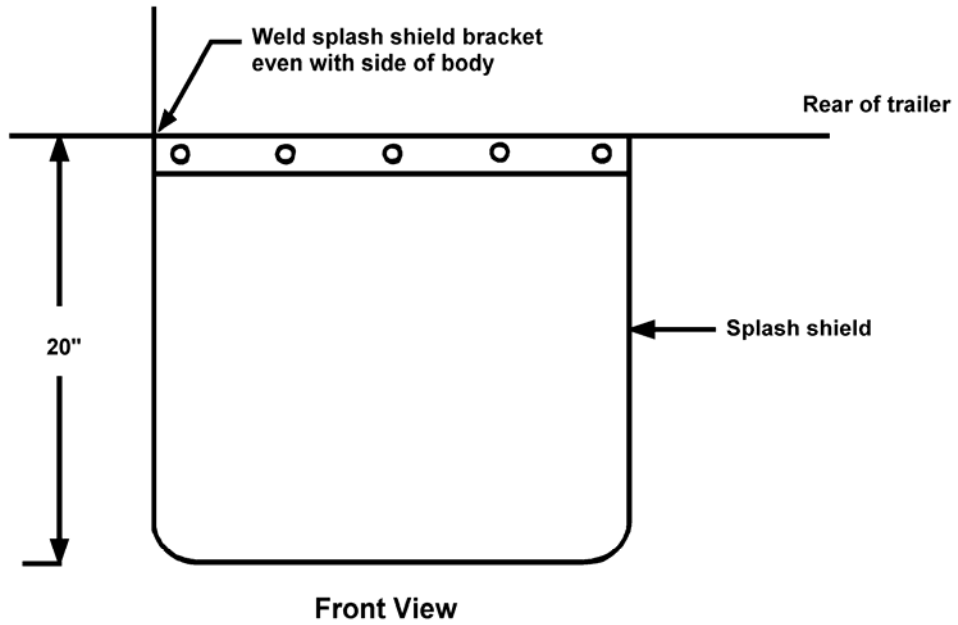


Figure A-6. Welding brackets on rear of M172A1 trailers

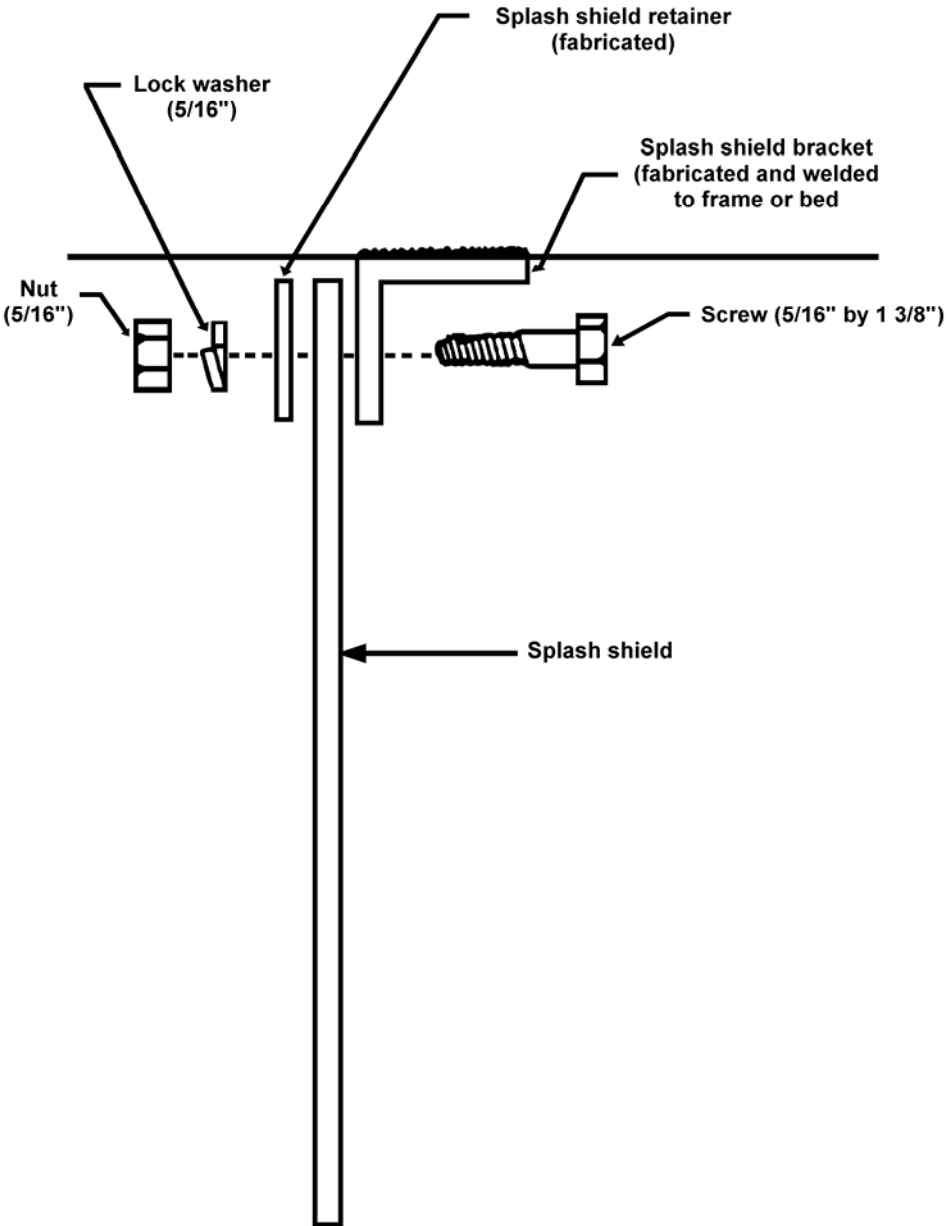


Figure A-7. Mounting splash shields to brackets