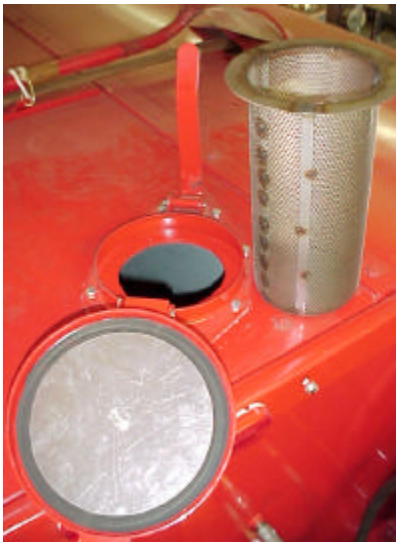


ROSCOMMON EQUIPMENT CENTER

**Project Number 63
6x6 Wildland Fire Engines**

March 2001



Design Packet 63C Filler Port and Strainer Drawings

Filler Port Drawings

The REC filler port (23-9804) is a rugged mild steel fabrication that provides years of service without maintenance. The usable fill opening is 7 inches in diameter. The port does not vent. The REC tank designs use a separate venting system. This item bolts to the tank lids found in all REC 6x6 tank designs.

Filler port strainer (#23-0032) inserts in the filler port to filter larger objects (greater than 1/8 inch). The perforation of the strainer is adequate to strain the flow from most portable centrifugal pumps. Its use prevents unwanted debris from getting into the tank during drafting or other fill procedures. The strainer is made of stainless steel to reduce corrosion problems.



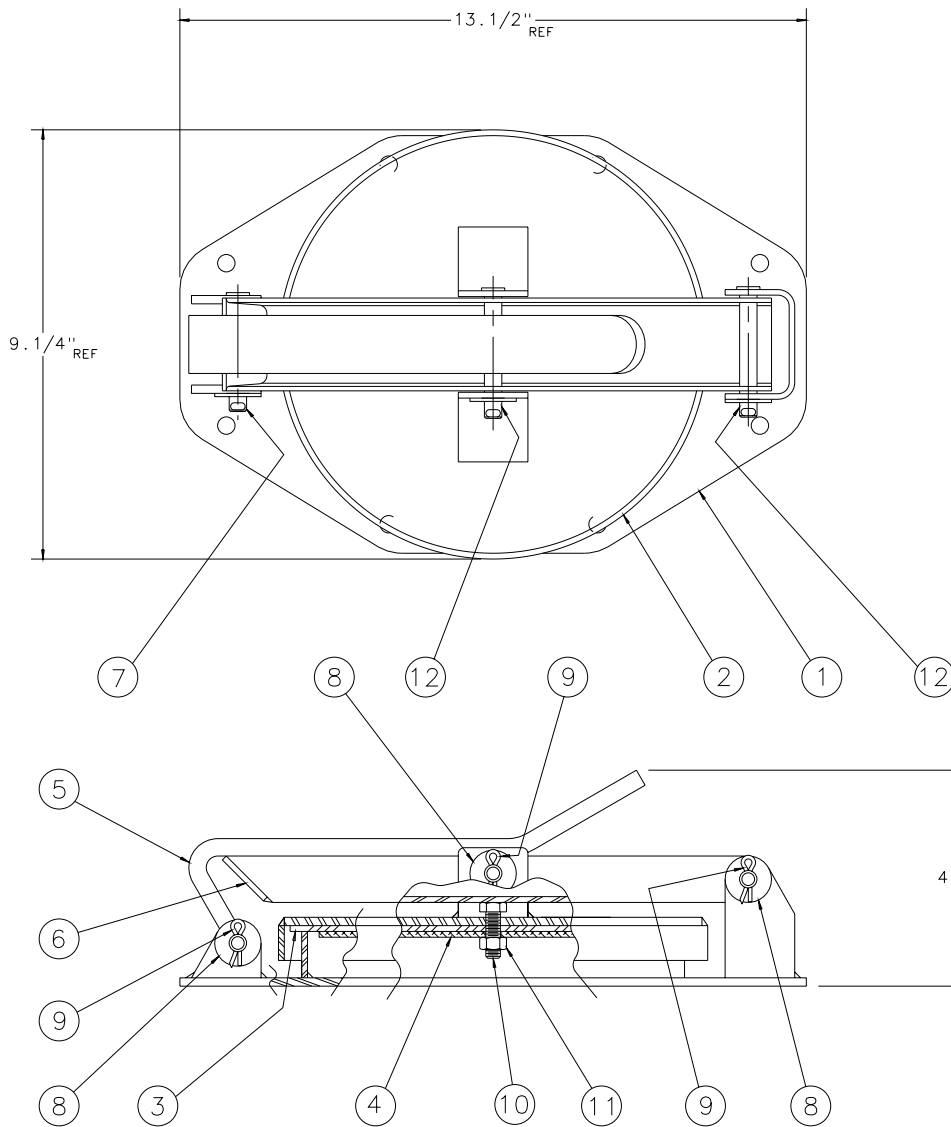
Figure 1 - Filler Port Lid Closed



Figure 2 - Filler Port Open with Strainer

Drawing List

Drawing Number	Drawing Name
23-9804C	Filler Port 6" A/C
23-0061C	Base W/C
23-0062B	Cover W/C
23-0063B	Gasket
23-0064B	Gasket Retainer
23-0065B	Latch W/C
23-0066B	Hinge Bar W/C
00-0969A	Latch Anchor
00-0970B	Hinge Anchor
00-0971B	Neck
00-0972C	Base Plate
00-0973B	Angle
00-0974B	Cover
00-0975B	Rim
00-0976A	Latch Hinge
00-0977B	Latch Bar
00-0978A	Sheet
00-0979B	Channel
23-0032C	Strainer, Filler Port
00-0353C	Strainer Wall
00-0354B	Flange, Strainer
00-0355A	Bottom, Strainer
00-0356B	Strip



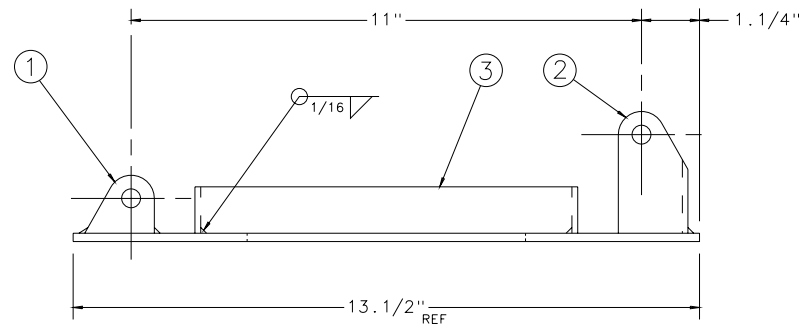
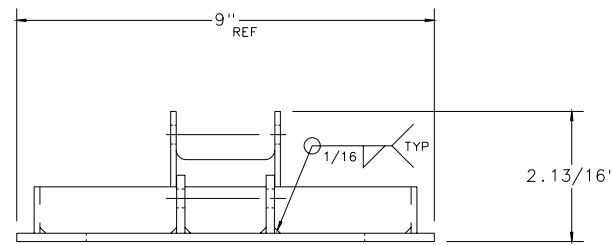
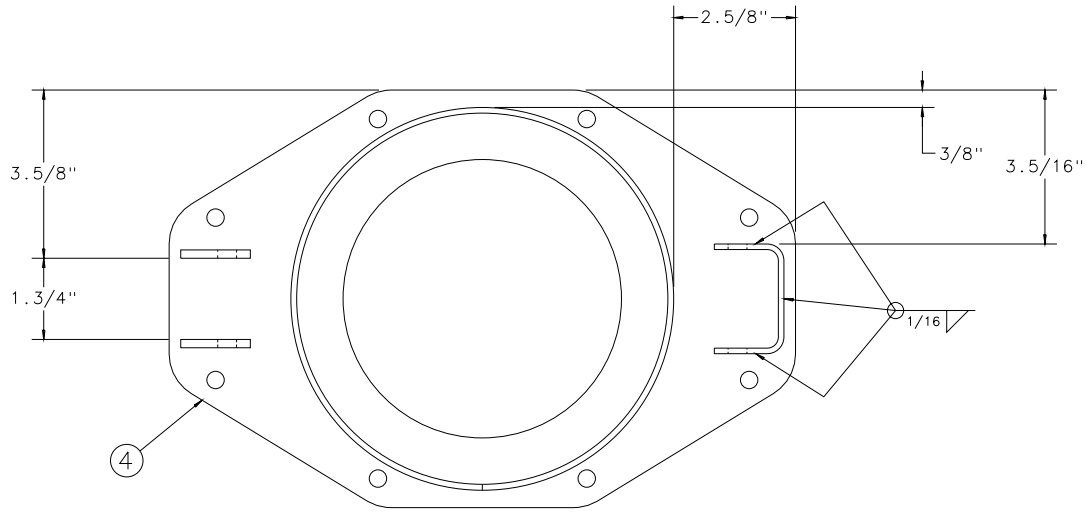
ITEM	PART NO	DWG	DESCRIPTION	QTY	EST WT
1	23-0061	C	BASE W/C	1	5.20
2	23-0062	B	COVER W/C	1	4.50
3	23-0063	B	GASKET	1	
4	23-0064	B	GASKET RETAINER	1	0.54
5	23-0065	B	LATCH W/C	1	1.63
6	23-0066	B	HINGE BAR W/C	1	1.58
7	R24-C150AA		PIN, CLEVIS 3/8" DIA X 2.1/2" LONG STEEL	1	0.08
8	WS-06BA		WASHER, FLAT 3/8" PLATED USS	3	0.01
9	R10-B48AB		PIN, COTTER 5/32" DIA X 3/4" LONG PLATED STEEL	3	0.01
10	TS-05GG08		SCREW, CAP HEX HD 5/16"-18UN X 1" LONG GRADE 5 PLATED	1	0.03
11	TS-05GP		NUT, HEX DOUBLE CHAMFER 5/16"-18UN PLATED	1	0.02
12	R24-C166AA		PIN, CLEVIS 3/8" DIA X 2.3/4" LONG STEEL	2	0.09

LATCH ADJUSTMENT
 TO SEAL COVER, ADJUST
 ITEM #10 UP OR DOWN
 LOCK WITH ITEM #11

PART NUMBER: 23-9804
 EST WT: 14.0 LBS

STD. TOLERANCES FRACTIONAL: 0 TO 6 IN. ± 1/32" 6 IN. AND UP ± 1/16"		DRAWN: R. GREENLAW		MICHIGAN DNR FOREST MANAGEMENT DIVISION
DECIMAL: 1 PLACE ± 0.1 2 PLACE ± 0.01 3 PLACE ± 0.005		CHECKED: KDB		
ANGULAR: ± 1 DEG		APPROVED:		
NO.	BY	DATE	REVISION	PROJECT NO.: 90-4
FOREST FIRE EXPERIMENT STATION P.O. BOX 68 ROSCOMMON, MICHIGAN 48653				DWG. NO.: 23-9804C
TITLE: FILLER PORT 6" A/C			SCALE: 1 = 2	DATE: 07 FEB 95

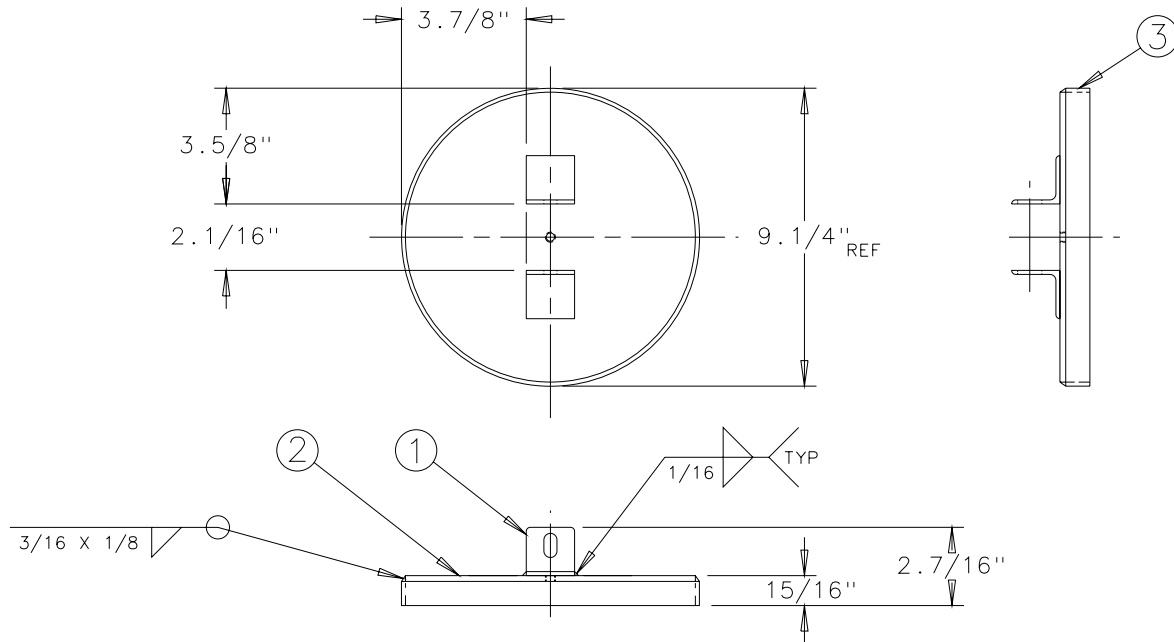
ITEM	PART NO	DWG	DESCRIPTION	QTY	EST WT
1	00-0969	A	LATCH ANCHOR	2	0.06
2	00-0970	B	HINGE ANCHOR	1	0.32
3	00-0971	B	NECK	1	0.89
4	00-0972	C	BASE PLATE	1	3.70



PART NUMBER: 23-0061
EST WT: 5.20 LBS

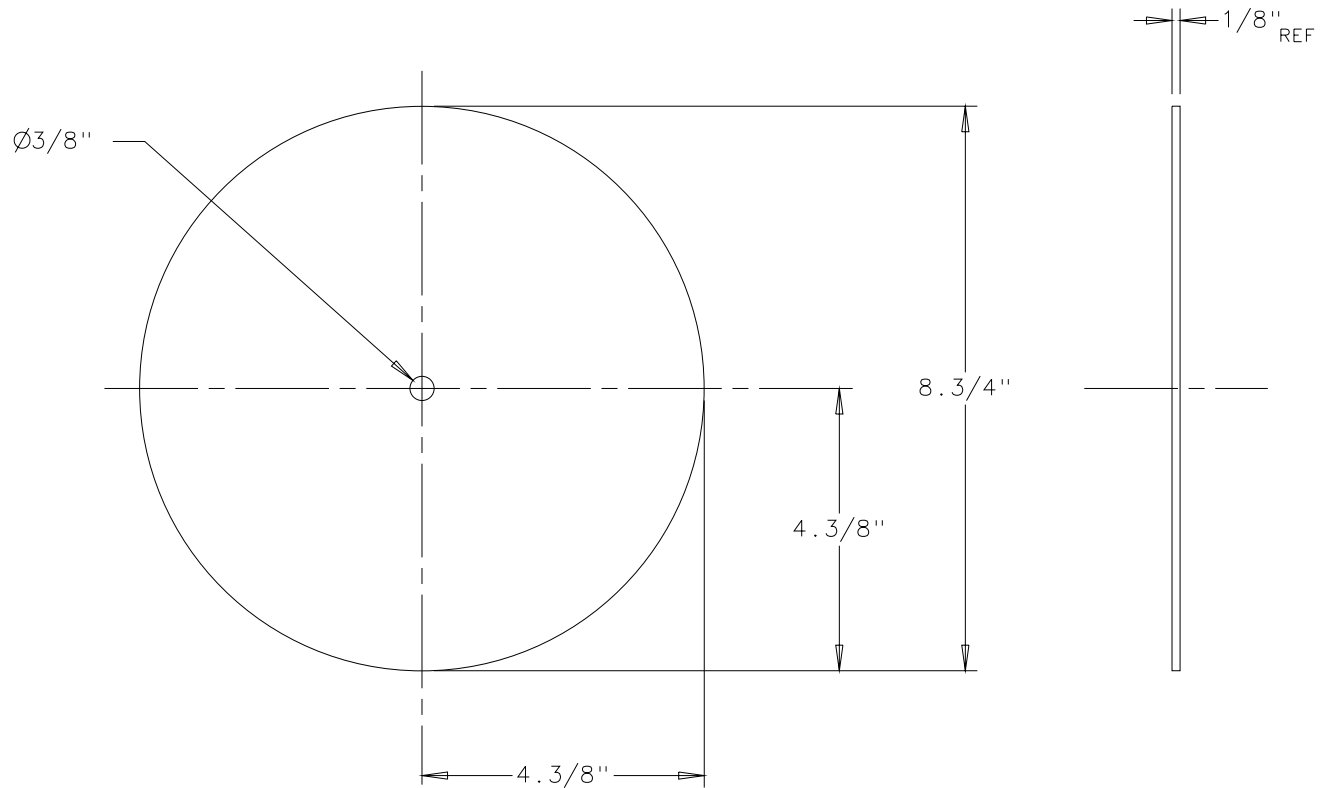
STD. TOLERANCES FRACTIONAL: 0 TO 0.16 ± 1/32 6 IN AND UP ± 1/16		DRAWN: R. GREENLAW		MICHIGAN DNR FOREST MANAGEMENT DIVISION
DECIMAL: 1 PLACE ± 0.1 2 PLACE ± 0.01 3 PLACE ± 0.005		CHECKED: KDB		
ANGULAR: ± 1 DEG		APPROVED:		
NO. BY DATE REVISION		PROJECT NO.: 90-4		DWG. NO. 23-0061C
FOREST FIRE EXPERIMENT STATION P.O. BOX 68 ROSCOMMON, MICHIGAN 48653		SCALE: 1 = 2 DATE: 25 JAN 95		
TITLE: BASE W/C				

ITEM	PART NO	DWG	DESCRIPTION	QTY	EST WT
1	00-0973	B	ANGLE	2	0.15
2	00-0974	B	COVER	1	3.22
3	00-0975	B	RIM	1	0.76



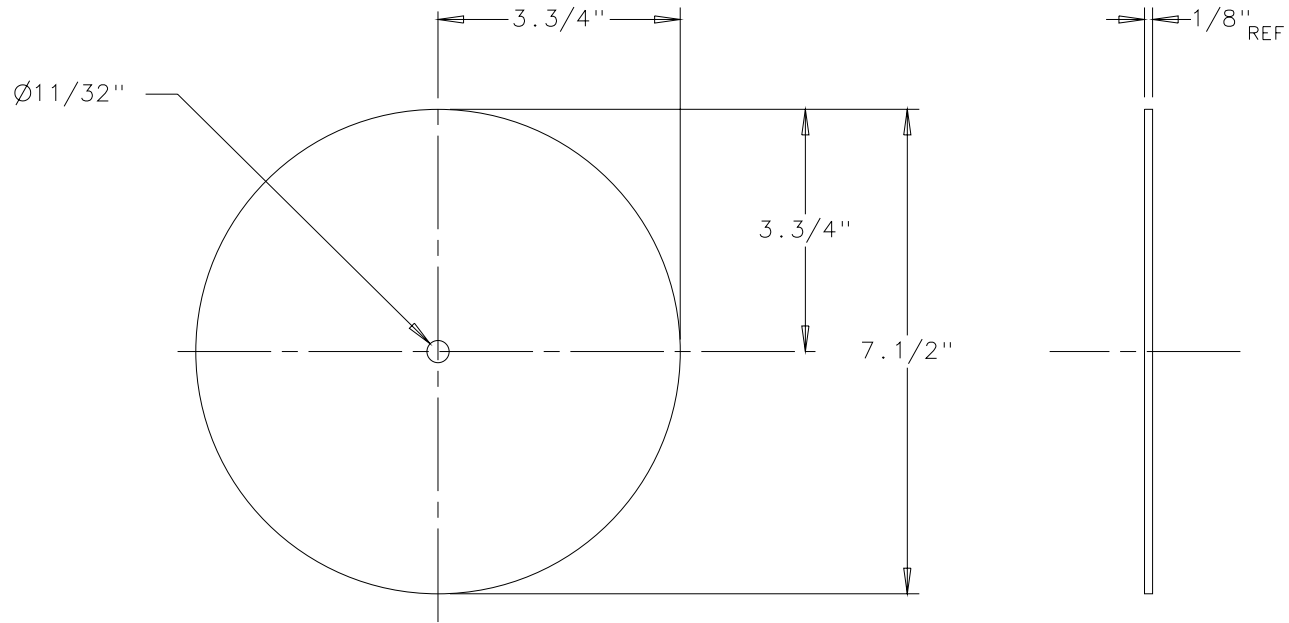
PART NUMBER: 23-0062
EST WT: 4.50 LBS

STD. TOLERANCES FRACTIONAL : 0 TO 6 IN + - 1/32 6 IN AND UP + - 1/16 DECIMAL : 1 PLACE + - 0.1 2 PLACE + - 0.01 3 PLACE + - 0.005 ANGULAR : + - 1 DEG		DRAWN: R. GREENLAW CHECKED: KBD APPROVED:	MICHIGAN DNR FOREST MANAGEMENT DIVISION PROJECT NO. : 90-4
NO. BY DATE REVISION		FOREST FIRE EXPERIMENT STATION P.O. BOX 68 ROSCOMMON, MICHIGAN 48653	
TITLE: COVER W/C		SCALE: 1 = 4	DATE: 27 JAN 95 DWG. NO. 23-0062B



PART NUMBER: 23-0063
 MAT'L: MAKE FROM FFES P/N 33-0028
 EST WT: ___ LBS

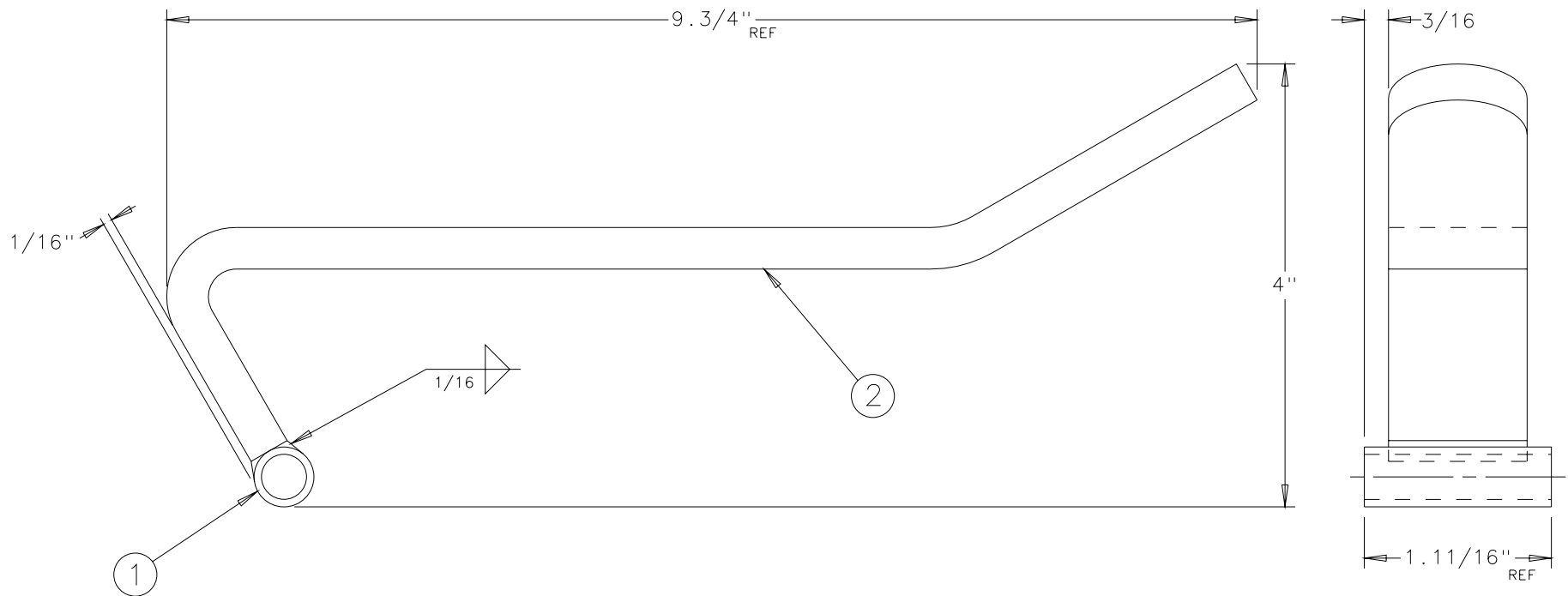
STD. TOLERANCES								DRAWN: R. GREENLAW	MICHIGAN DNR FOREST MANAGEMENT DIVISION
FRACTIONAL: 0 TO 6 IN +- 1/32 6 IN AND UP +- 1/16								CHECKED: KDB	
DECIMAL: 1 PLACE +- 0.1 2 PLACE +- 0.01 3 PLACE +- 0.005		ANGULAR: +- 1 DEG						APPROVED:	
		NO.	BY	DATE	REVISION				
FOREST FIRE EXPERIMENT STATION									
P.O. BOX 68 ROSCOMMON, MICHIGAN 48653									PROJECT NO.: 90-4
TITLE: GASKET							SCALE: 1" = 2"	DATE: 31 JAN 95	DWG. NO.: 23-0063B



PART NUMBER: 23-0064
 MAT'L: SHEET, 1/8" ALUMINUM 3' X 8'
 UNS A93003
 FFES SPEC NO: AA-12538AT
 EST WT: 0.54 LBS

STD. TOLERANCES						DRAWN: R. GREENLAW	MICHIGAN DNR FOREST MANAGEMENT DIVISION	
FRACTIONAL: 0 TO 6 IN + - 1/32 6 IN AND UP + - 1/16						CHECKED: KDB		
DECIMAL: 1 PLACE + - 0.1 2 PLACE + - 0.01 3 PLACE + - 0.005		ANGULAR: + - 1 DEG				APPROVED:		
NO.	BY	DATE	REVISION					
FOREST FIRE EXPERIMENT STATION								
P.O. BOX 68 ROSCOMMON, MICHIGAN 48653								PROJECT NO.: 90-4
TITLE: GASKET RETAINER					SCALE: 1 = 2	DATE: 31 JAN 95	DWG. NO. 23-0064B	

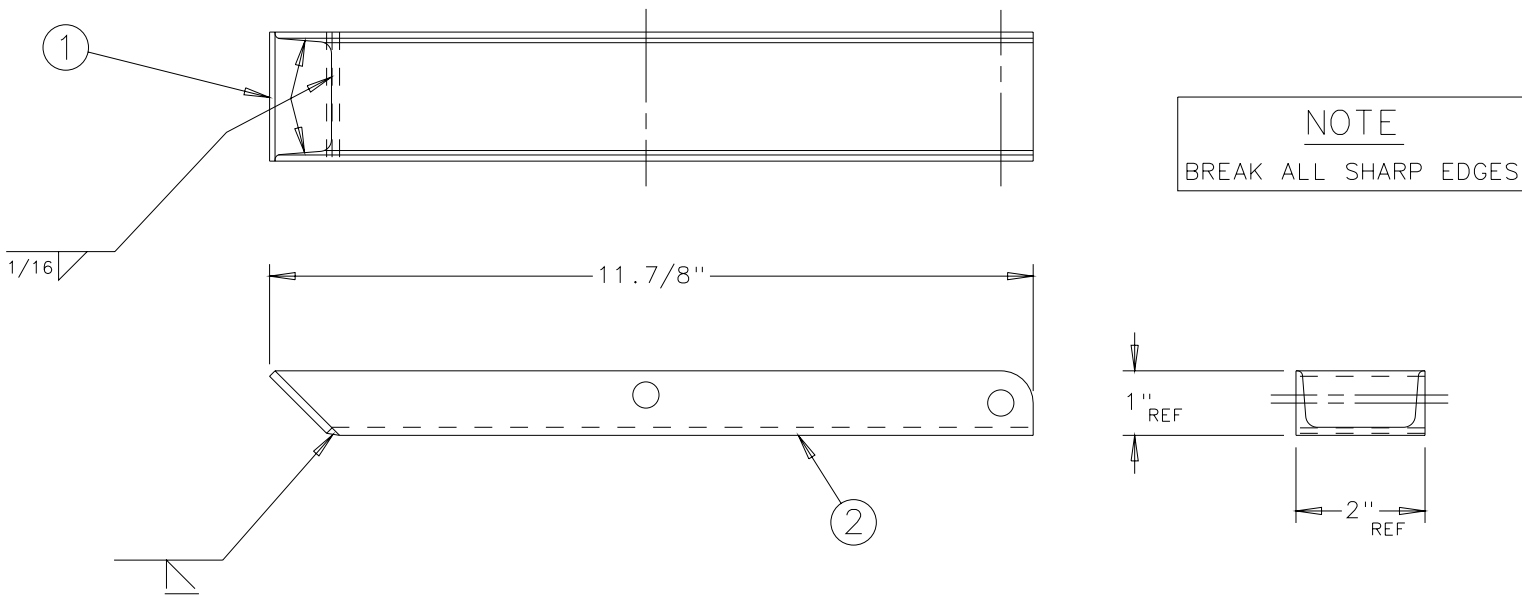
ITEM	PART NO	DWG	DESCRIPTION	QTY	EST WT
1	00-0976	A	HINGE	1	0.05
2	00-0977	B	LATCH BAR	1	1.54



PART NUMBER: 23-0065
EST WT: 1.63 LBS

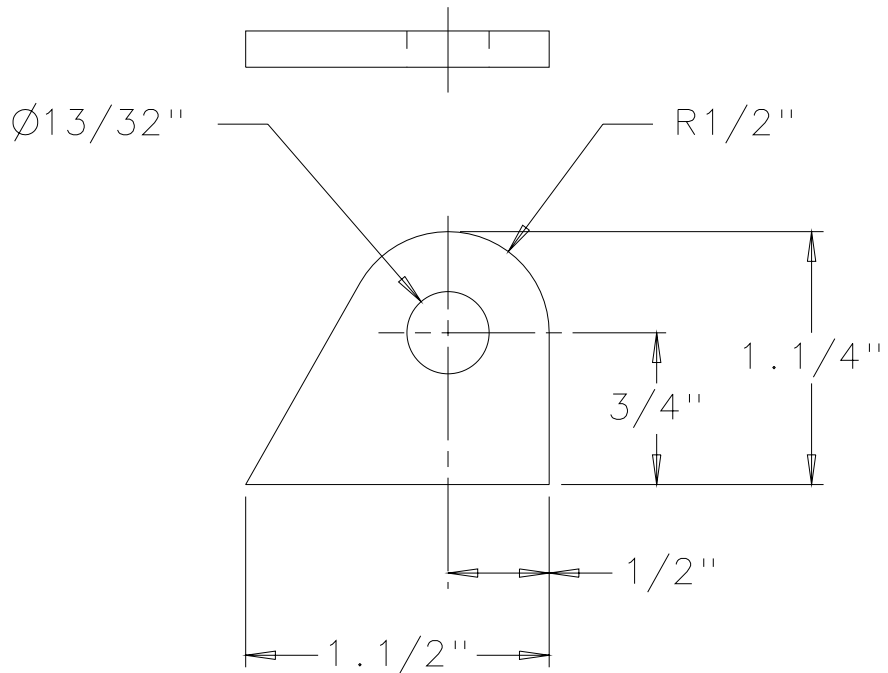
STD. TOLERANCES						DRAWN: R. GREENLAW	MICHIGAN DNR FOREST MANAGEMENT DIVISION
FRACTIONAL: 0 TO 6 IN +- 1/32 6 IN AND UP +- 1/16						CHECKED: KDB	
DECIMAL: 1 PLACE +- 0.1 2 PLACE +- 0.01 3 PLACE +- 0.005		ANGULAR: +- 1 DEG		NO.	BY	DATE	
FOREST FIRE EXPERIMENT STATION						PROJECT NO.: 90-4	
P.O. BOX 68 ROSCOMMON, MICHIGAN 48653						DWG. NO.: 23-0065B	
TITLE: LATCH W/C						SCALE: FULL	DATE: 07 FEB 95

ITEM	PART NO	DWG	DESCRIPTION	QTY	EST WT
1	00-0978	A	SHEET	1	0.08
2	00-0979	B	CHANNEL	1	1.46



PART NUMBER: 23-0066
EST WT: 1.58 LBS

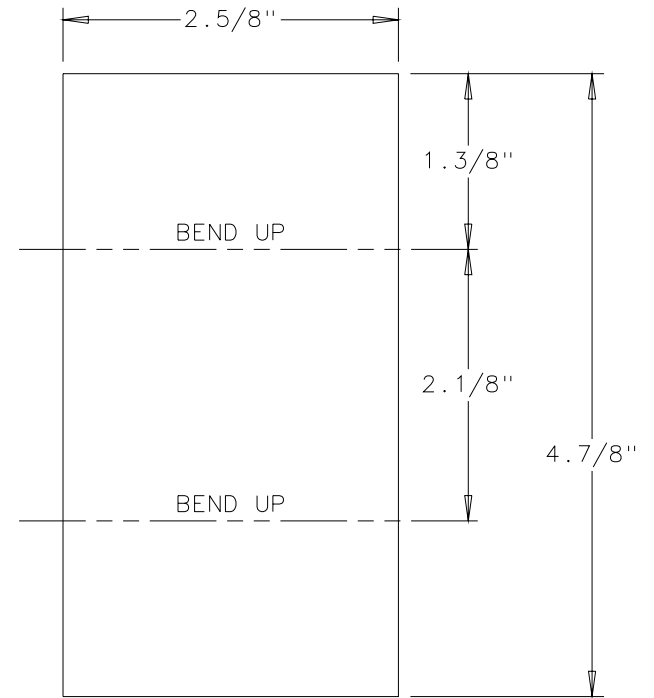
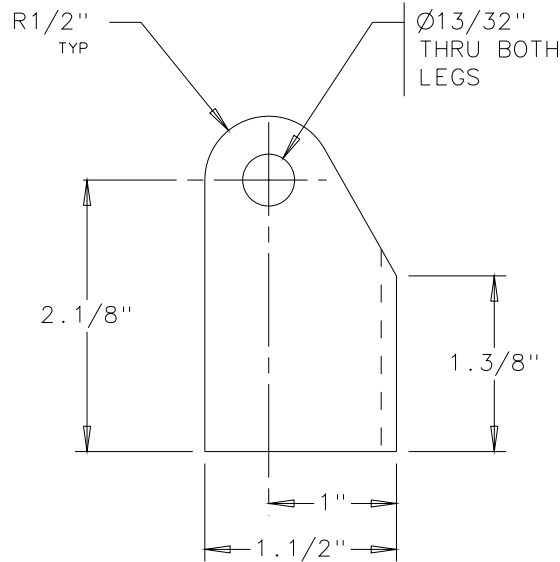
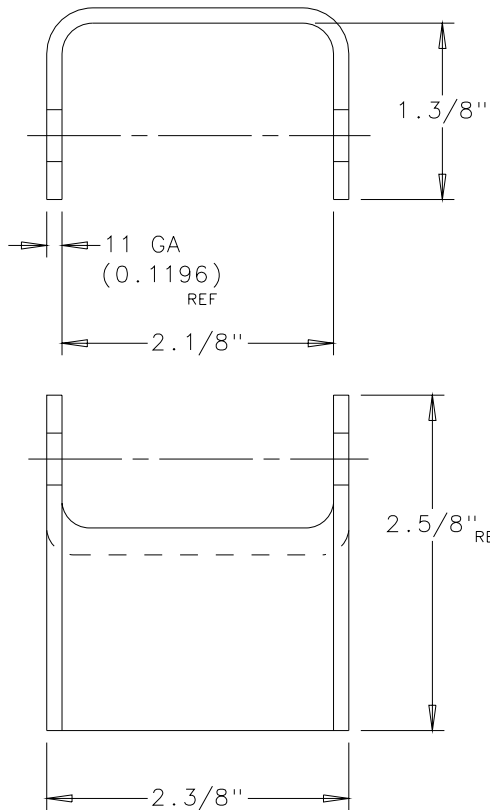
STD. TOLERANCES FRACTIONAL: 0 TO 6 IN + - 1/32 6 IN AND UP + - 1/16 DECIMAL: 1 PLACE + - 0.1 2 PLACE + - 0.01 3 PLACE + - 0.005 ANGULAR: + - 1 DEG		DRAWN: R. GREENLAW CHECKED: KDB APPROVED:	MICHIGAN DNR FOREST MANAGEMENT DIVISION PROJECT NO.: 90-4
NO.	BY	DATE	
FOREST FIRE EXPERIMENT STATION P.O. BOX 68 ROSCOMMON, MICHIGAN 48653			
TITLE: HINGE BAR W/C		SCALE: 1 = 2	DATE: 02 FEB 95
			DWG. NO.: 23-0066B



7 GA
(0.1793)
REF

PART NUMBER: 00-0969
 MAT'L: SHEET, 7 GA (0.1793) HR P&O
 ASTM A569
 FFES SPEC NO: AA-G0748AP
 EST WT: 0.06 LBS

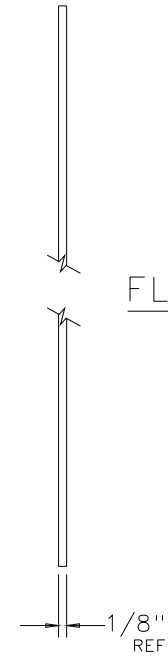
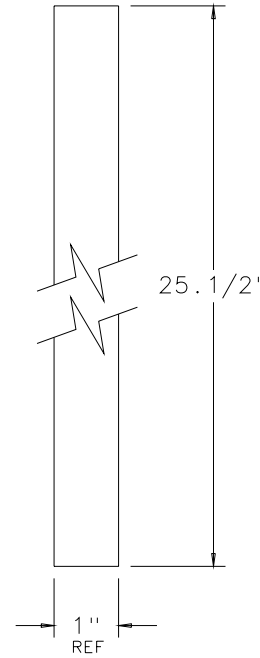
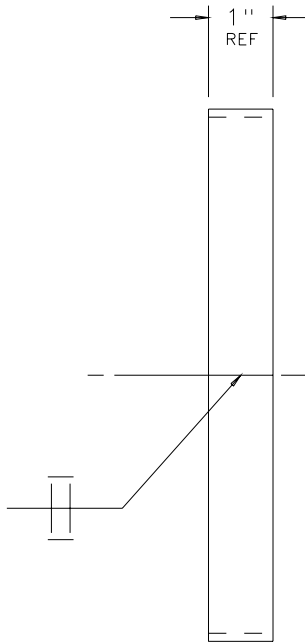
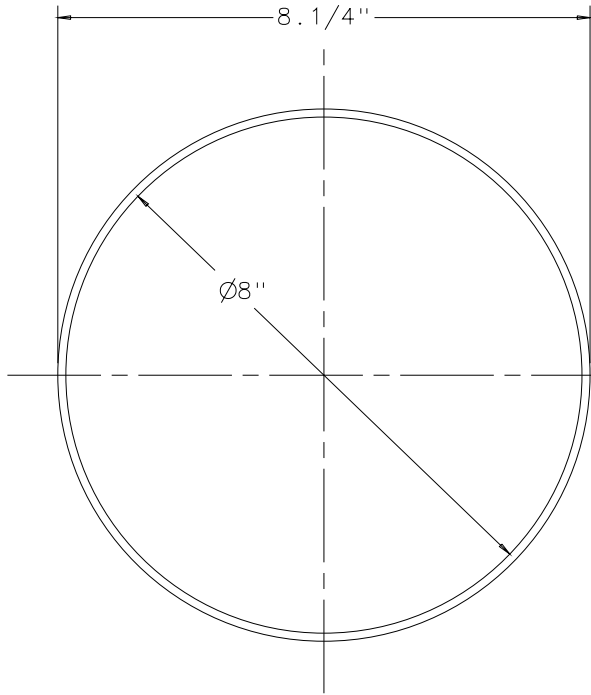
STD. TOLERANCES						DRAWN: R. GREENLAW	MICHIGAN DNR FOREST MANAGEMENT DIVISION
FRACTIONAL: 0 TO 6 IN +- 1/32 6 IN AND UP +- 1/16						CHECKED: KDB	
DECIMAL: 1 PLACE +- 0.1 2 PLACE +- 0.01 3 PLACE +- 0.005	ANGULAR: +- 1 DEG					APPROVED:	
		NO.	BY	DATE	REVISION		
FOREST FIRE EXPERIMENT STATION P.O. BOX 68 ROSCOMMON, MICHIGAN 48653							PROJECT NO.: 90-4
TITLE: LATCH ANCHOR					SCALE: FULL	DATE: 24 JAN 95	DWG. NO. 00-0969A



FLAT LAYOUT

PART NUMBER: 00-0970
 MAT'L: SHEET, 11 GA (0.1196) HR P&O
 ASTM A569
 FFES SPEC NO: AA-G1148AP
 EST WT: 0.32 LBS

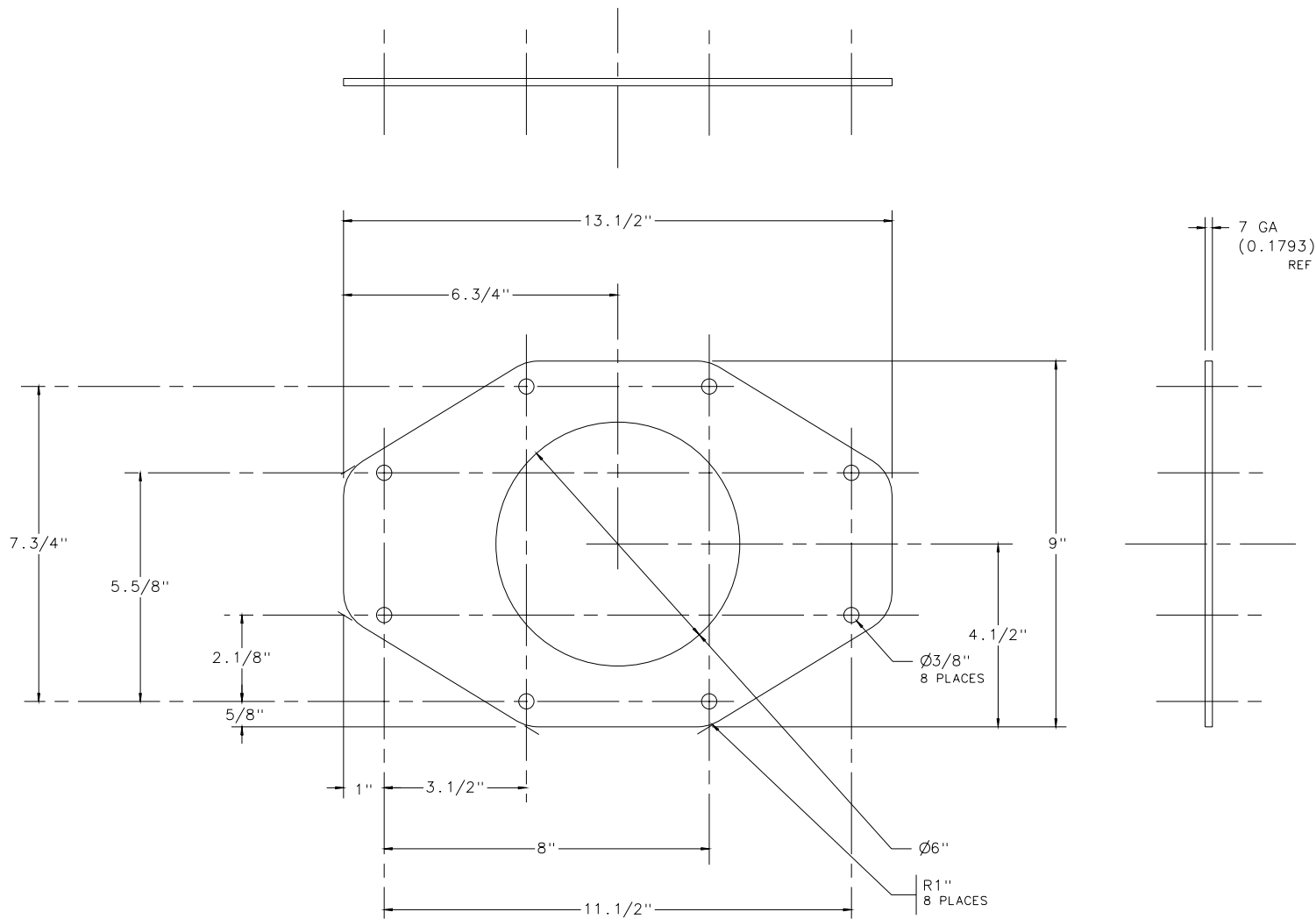
STD. TOLERANCES				DRAWN: R. GREENLAW		MICHIGAN DNR FOREST MANAGEMENT DIVISION
FRACTIONAL: 0 TO 6 IN + - 1/32 6 IN AND UP + - 1/16				CHECKED: KDB		
DECIMAL: 1 PLACE + - 0.1 2 PLACE + - 0.01 3 PLACE + - 0.005		ANGULAR: + - 1 DEG		APPROVED:		
NO.	BY	DATE	REVISION			
FOREST FIRE EXPERIMENT STATION P.O. BOX 68 ROSCOMMON, MICHIGAN 48653						
TITLE: HINGE ANCHOR				SCALE: FULL	DATE: 24 JAN 95	PROJECT NO.: 90-4 DWG. NO.: 00-0970B



FLAT LAYOUT

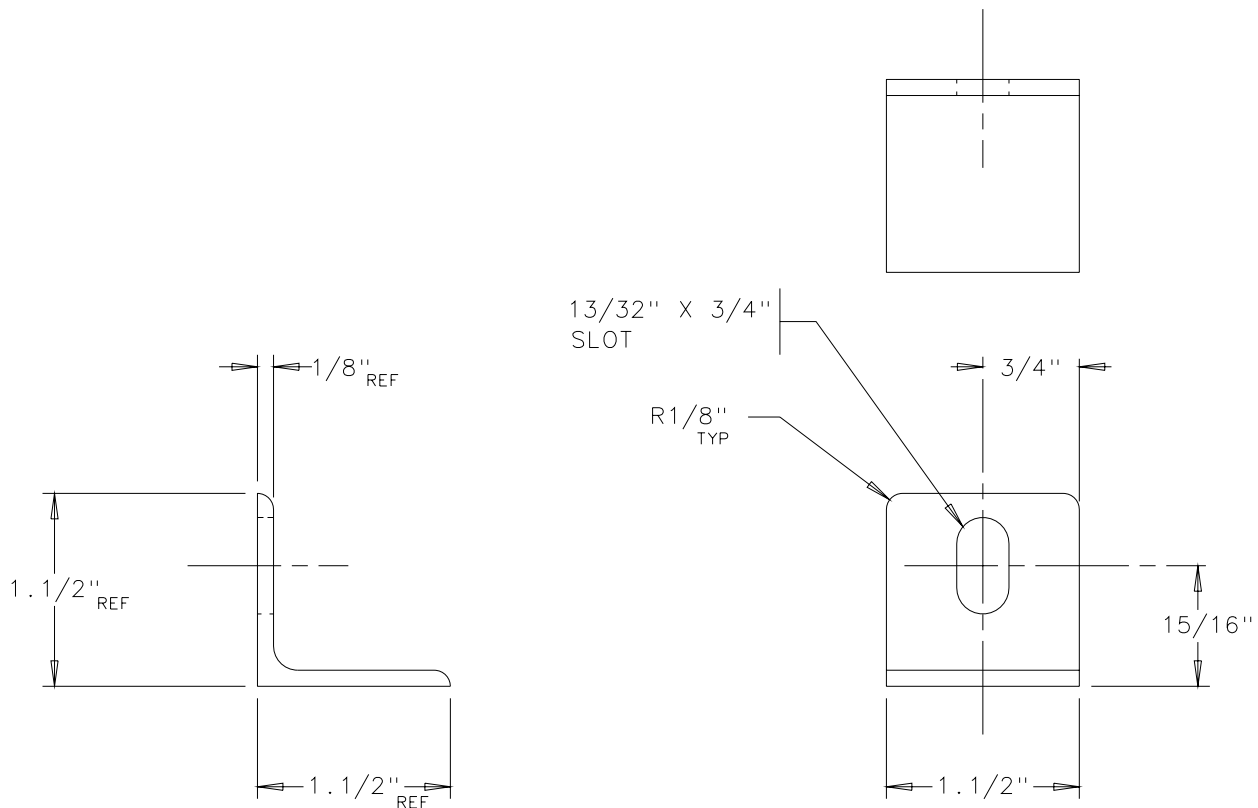
PART NUMBER: 00-0971
 MAT'L: BAR, FLAT 1/8" X 1" HR
 UNS G10080
 FFES SPEC NO: AB-00204AH
 EST WT: 0.89 LBS

STD. TOLERANCES				DRAWN: R. GREENLAW		MICHIGAN DNR FOREST MANAGEMENT DIVISION
FRACTIONAL: 0 TO 6 IN +- 1/32 6 IN AND UP +- 1/16				CHECKED: KDB		
DECIMAL: 1 PLACE +- 0.1 2 PLACE +- 0.01 3 PLACE +- 0.005		ANGULAR: +- 1 DEG		APPROVED:		
NO.	BY	DATE	REVISION			
FOREST FIRE EXPERIMENT STATION						PROJECT NO.: 90-4
P.O. BOX 68 ROSCOMMON, MICHIGAN 48653						
TITLE: NECK				SCALE: 1 = 2	DATE: 24 JAN 95	DWG. NO. 00-0971B



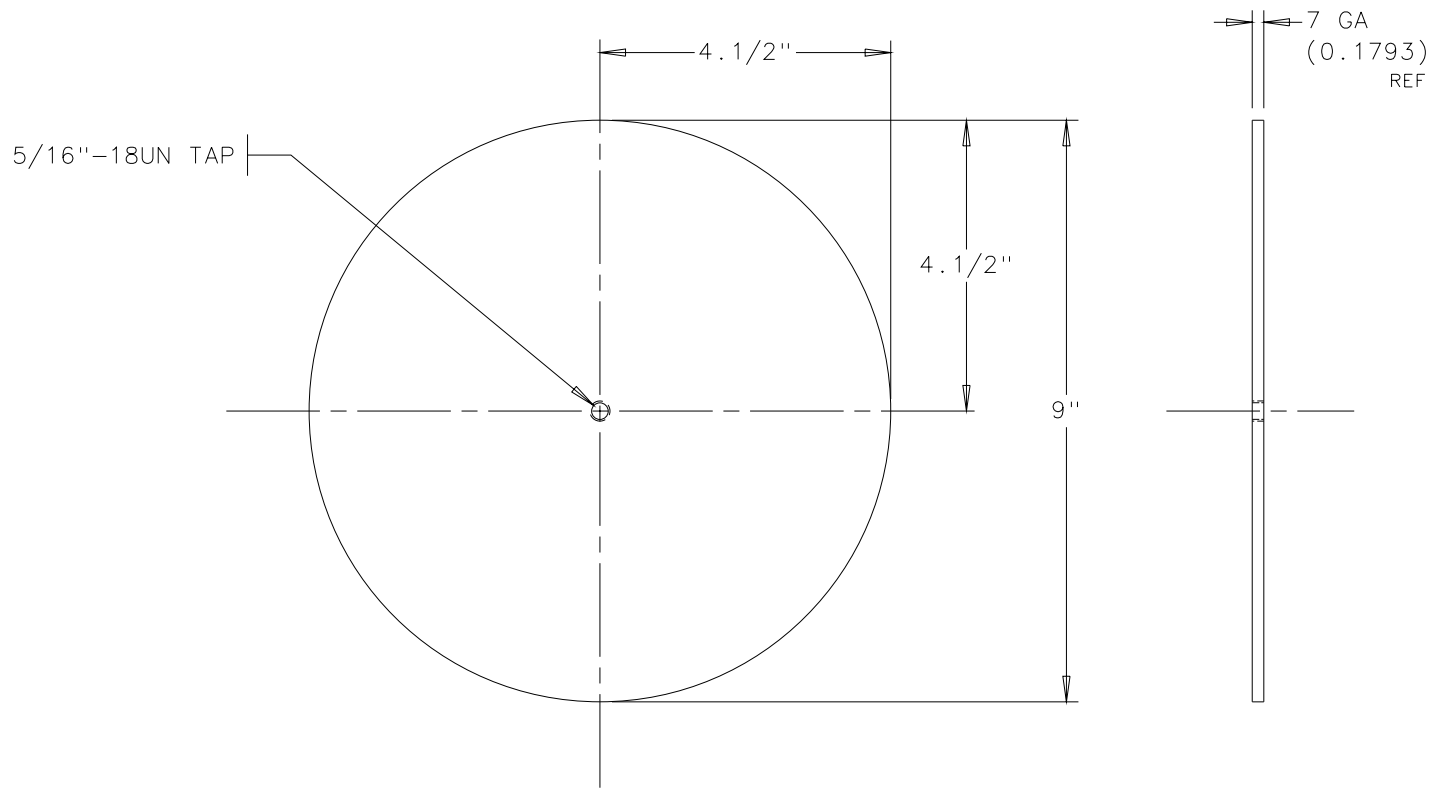
PART NUMBER: 00-0972
 MAT'L: SHEET, 7 GA (0.1793) HR P&O
 ASTM A569
 FFES SPEC NO: AA-G0748AP
 EST WT: 3.70 LBS

STD. TOLERANCES		DRAWN: R. GREENLAW		MICHIGAN DNR
FRACTIONAL: 0 TO 6 IN + - 1/32 6 IN AND UP + - 1/16		CHECKED: KDB		
DECIMAL: 1 PLACE + - 0.1 2 PLACE + - 0.01 3 PLACE + - 0.005		APPROVED:		
ANGULAR: + - 1 DEG		NO. BY DATE REVISION		FOREST MANAGEMENT DIVISION
FOREST FIRE EXPERIMENT STATION				PROJECT NO.: 90-4
P.O. BOX 68 ROSCOMMON, MICHIGAN 48653				DWG. NO.: 00-0972C
TITLE: BASE PLATE		SCALE: 1 = 2	DATE: 24 JAN 95	



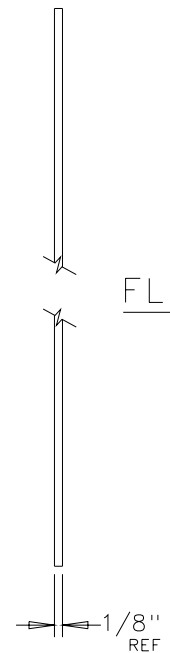
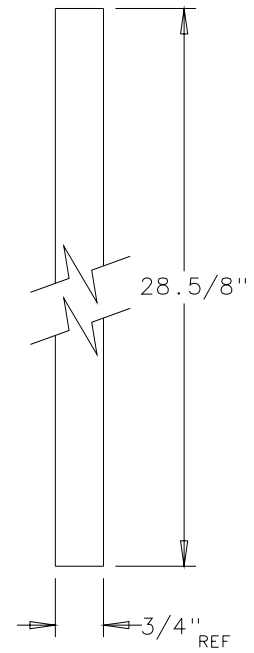
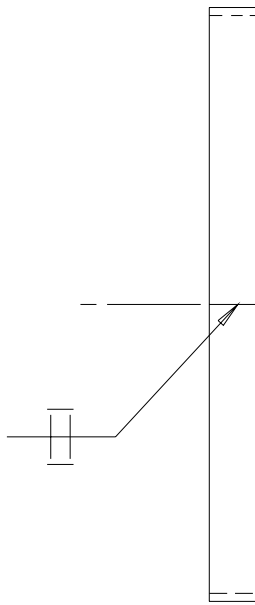
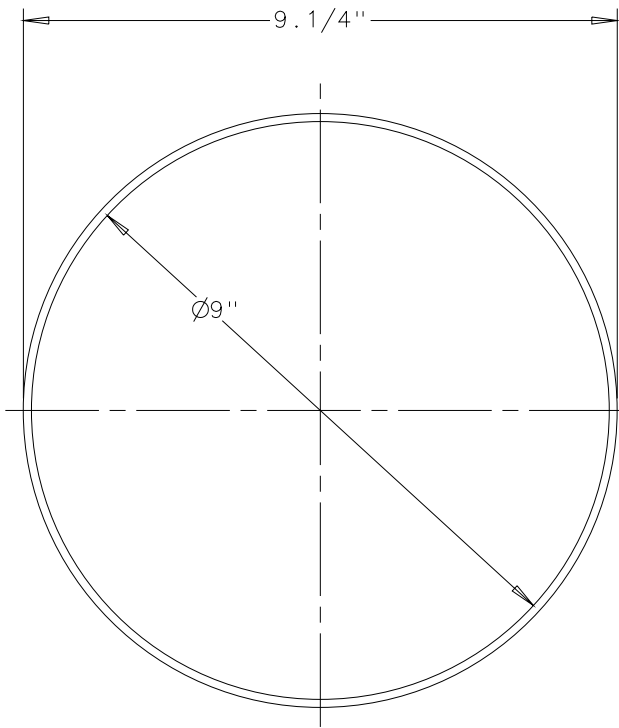
PART NUMBER: 00-0973
 MAT'L: ANGLE, 1.1/2" X 1.1/2" X 1/8"
 UNS K02600
 FFES SPEC NO: AK-20606AG
 EST WT: 0.15 LBS

STD. TOLERANCES								DRAWN: R. GREENLAW	MICHIGAN DNR FOREST MANAGEMENT DIVISION
FRACTIONAL: 0 TO 6 IN + - 1/32 6 IN AND UP + - 1/16								CHECKED: KDB	
DECIMAL: 1 PLACE + - 0.1 2 PLACE + - 0.01 3 PLACE + - 0.005		ANGULAR: + - 1 DEG						APPROVED:	
		NO.	BY	DATE	REVISION				
FOREST FIRE EXPERIMENT STATION P.O. BOX 68 ROSCOMMON, MICHIGAN 48653									PROJECT NO.: 90-4
TITLE: ANGLE						SCALE: FULL	DATE: 27 JAN 94	DWG. NO.: 00-0973B	



PART NUMBER: 00-0974
 MAT'L: SHEET, 7 GA (0.1793) HR P&O
 ASTM A569
 FFES SPEC NO: AA-G0748AP
 EST WT: 3.22 LBS

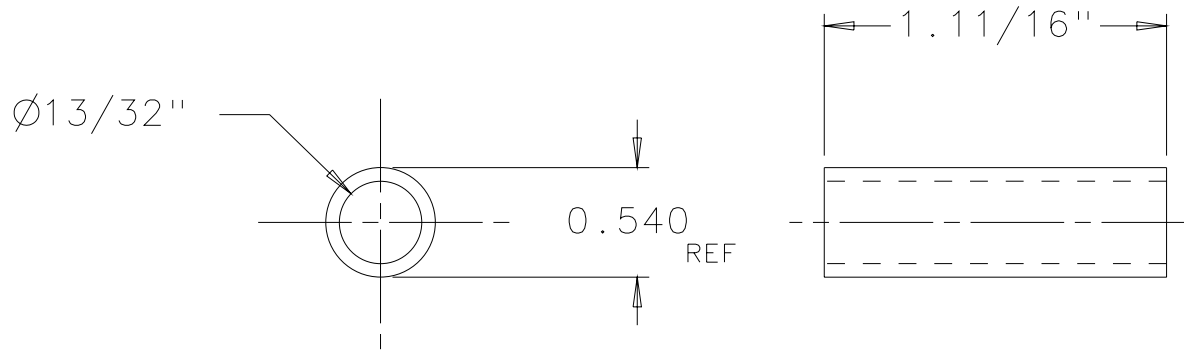
STD. TOLERANCES						DRAWN: R. GREENLAW	MICHIGAN DNR FOREST MANAGEMENT DIVISION	
FRACTIONAL: 0 TO 6 IN +- 1/32 6 IN AND UP +- 1/16						CHECKED: KDB		
DECIMAL: 1 PLACE +- 0.1 2 PLACE +- 0.01 3 PLACE +- 0.005		ANGULAR: +- 1 DEG		NO.	BY	DATE		APPROVED:
REVISION								
FOREST FIRE EXPERIMENT STATION P.O. BOX 68 ROSCOMMON, MICHIGAN 48653								
TITLE: COVER						SCALE: 1 = 2	DATE: 26 JAN 95	PROJECT NO.: 90-4 DWG. NO.: 00-0974B



FLAT LAYOUT

PART NUMBER: 00-0975
 MAT'L: BAR, FLAT 1/8" X 3/4" HR
 UNS G10080
 FFES SPEC NO: AB-00203AH
 EST WT: 0.76 LBS

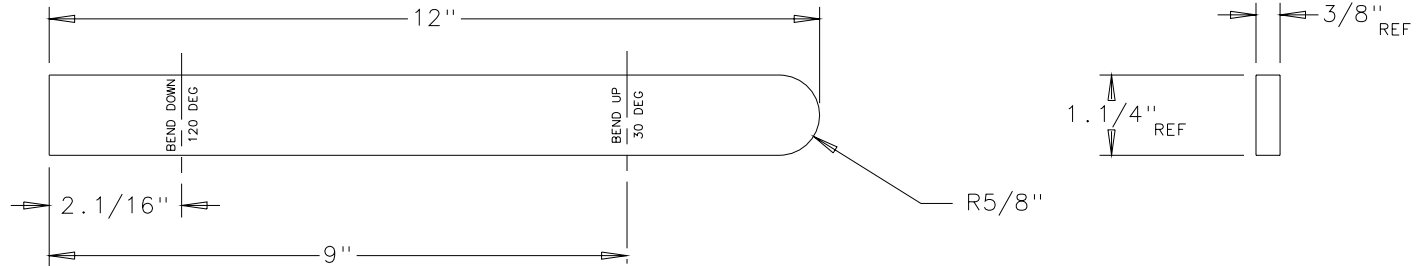
STD. TOLERANCES						DRAWN: R. GREENLAW	MICHIGAN DNR FOREST MANAGEMENT DIVISION	
FRACTIONAL: 0 TO 6 IN +- 1/32 6 IN AND UP +- 1/16						CHECKED: KDB		
DECIMAL: 1 PLACE +- 0.1 2 PLACE +- 0.01 3 PLACE +- 0.005		ANGULAR: +- 1 DEG				APPROVED:		
NO.	BY	DATE	REVISION					
FOREST FIRE EXPERIMENT STATION								
P.O. BOX 68 ROSCOMMON, MICHIGAN 48653								
TITLE: RIM					SCALE: 1 = 2	DATE: 27 JAN 95	DWG. NO. 00-0975B	
							PROJECT NO.: 90-4	



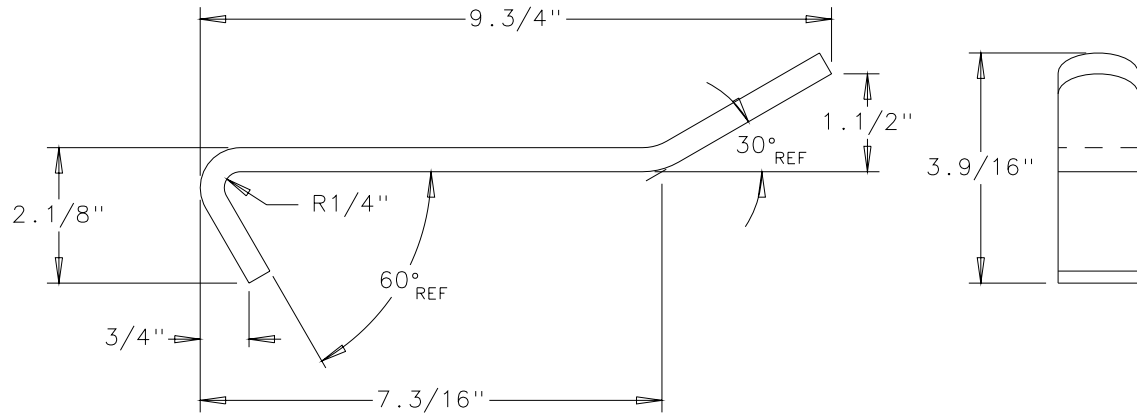
PART NUMBER: 00-0976
 MAT'L: PIPE, 1/4" NOM SCH 40 BLACK
 UNS K03000
 FFES SPEC NO: AF-04004AD
 EST WT: 0.05 LBS

STD. TOLERANCES						DRAWN: R. GREENLAW		MICHIGAN DNR FOREST MANAGEMENT DIVISION
FRACTIONAL: 0 TO 6 IN +- 1/32 6 IN AND UP +- 1/16						CHECKED: KDB		
DECIMAL: 1 PLACE +- 0.1 2 PLACE +- 0.01 3 PLACE +- 0.005		ANGULAR: +- 1 DEG				APPROVED:		
NO.	BY	DATE	REVISION					
FOREST FIRE EXPERIMENT STATION P.O. BOX 68 ROSCOMMON, MICHIGAN 48653								PROJECT NO.: 90-4
TITLE: LATCH HINGE					SCALE: FULL	DATE: 07 FEB 95	DWG. NO. 00-0976A	

FLAT LAYOUT

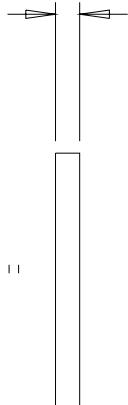
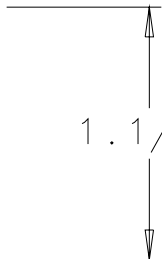
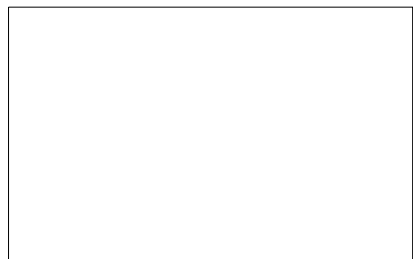
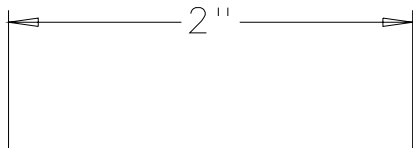


NOTE
 USE BENDING FIXTURE
 PART NUMBER 18-0113
 BREAK ALL SHARP EDGES



PART NUMBER: 00-0977
 MAT'L: BAR, FLAT 3/8" X 1.1/4" HR
 UNS G10200
 FFES SPEC NO: AB-00605AA
 EST WT: 1.54 LBS

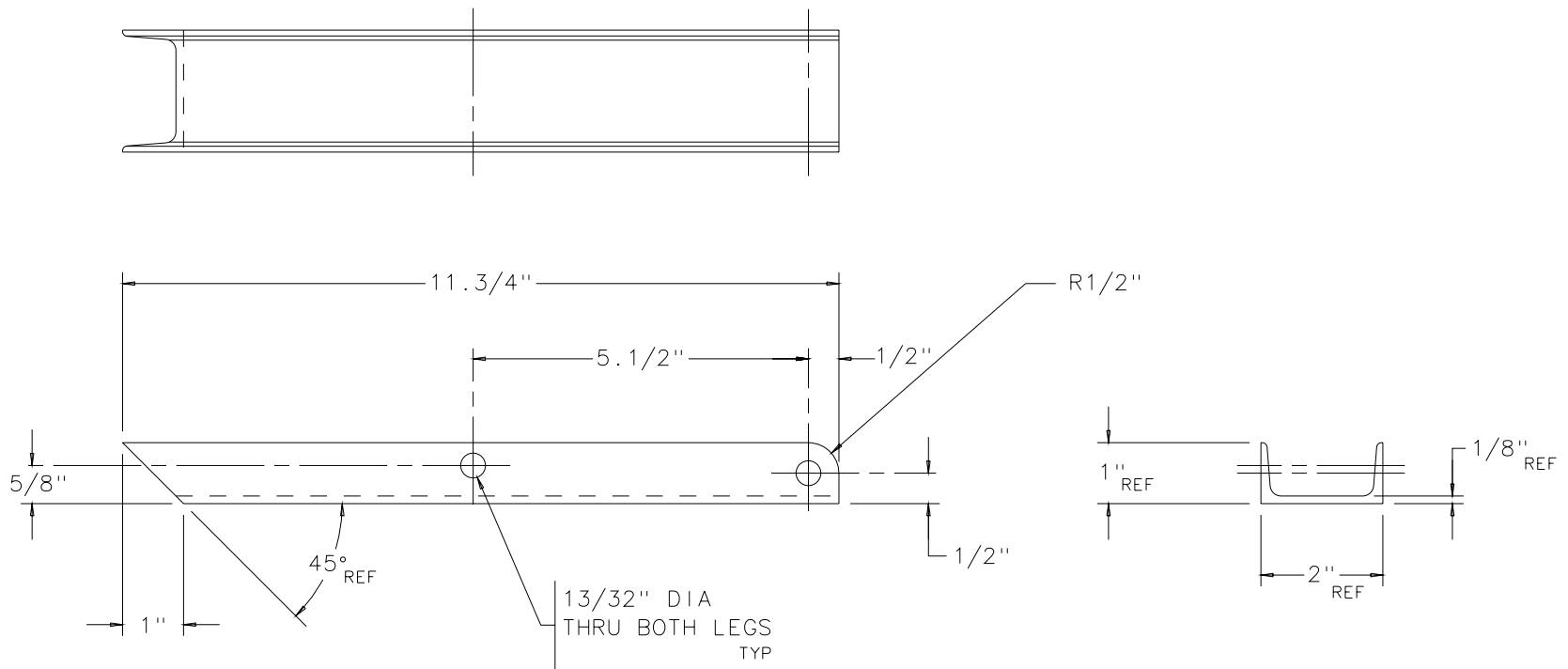
STD. TOLERANCES						DRAWN: R. GREENLAW	MICHIGAN DNR FOREST MANAGEMENT DIVISION	
FRACTIONAL:						CHECKED: KDB		
0 TO 6 IN +- 1/32						APPROVED:		
6 IN AND UP +- 1/16								
DECIMAL:	ANGULAR:							
1 PLACE +- 0.1	+ - 1 DEG							
2 PLACE +- 0.01								
3 PLACE +- 0.005								
		NO.	BY	DATE	REVISION			
FOREST FIRE EXPERIMENT STATION P.O. BOX 68 ROSCOMMON, MICHIGAN 48653								
TITLE: LATCH BAR						SCALE: 1 = 2	DATE: 07 FEB 95	PROJECT NO.: 90-4
							DWG. NO. 00-0977B	



11 GA
(0.1196)
REF

PART NUMBER: 00-0978
 MAT'L: SHEET, 11 GA (0.1196) HR P&O
 ASTM A569
 FFES SPEC NO: AA-G1148AP
 EST WT: 0.08 LBS

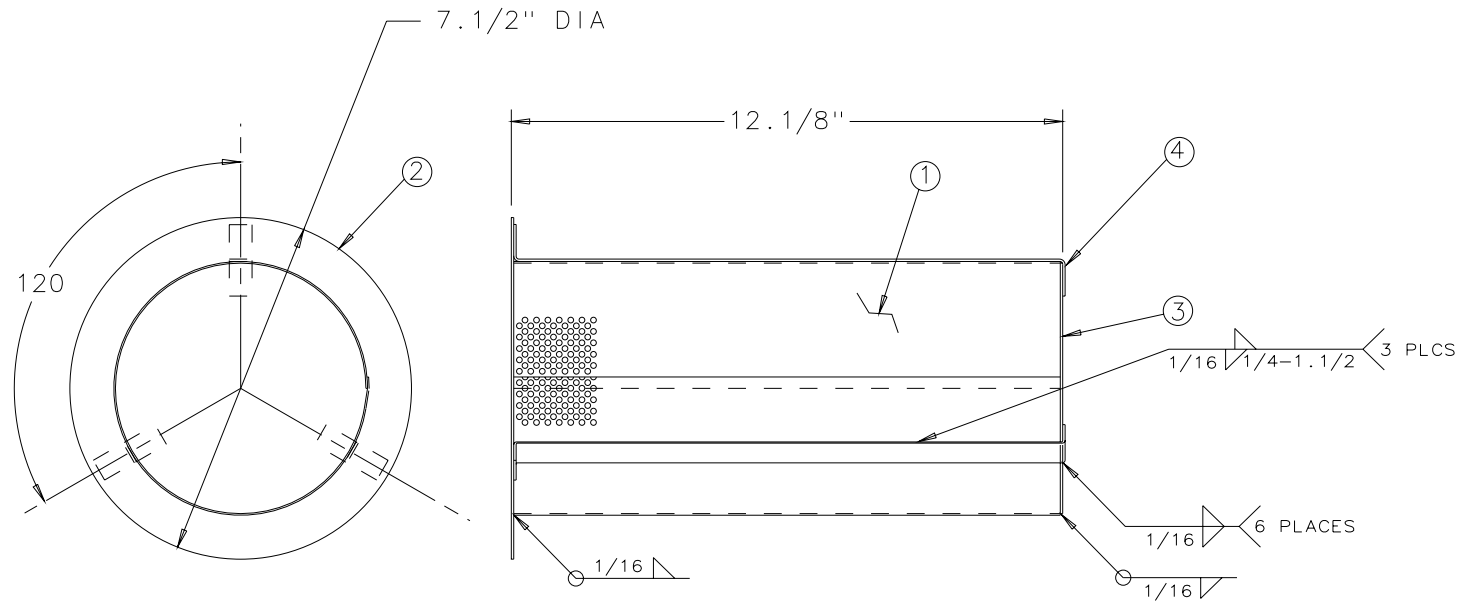
STD. TOLERANCES						DRAWN: R. GREENLAW	MICHIGAN DNR FOREST MANAGEMENT DIVISION
FRACTIONAL: 0 TO 6 IN + - 1/32 6 IN AND UP + - 1/16						CHECKED: KDB	
DECIMAL: 1 PLACE + - 0.1 2 PLACE + - 0.01 3 PLACE + - 0.005						APPROVED:	
ANGULAR: + - 1 DEG		NO.	BY	DATE	REVISION		
FOREST FIRE EXPERIMENT STATION P.O. BOX 68 ROSCOMMON, MICHIGAN 48653							PROJECT NO.: 90-4
TITLE: SHEET			SCALE: FULL		DATE: 02 FEB 95		DWG. NO. 00-0978A



PART NUMBER: 00-0979
 MAT'L: CHANNEL, BAR 2" X 1" X 1/8"
 UNS K02600
 FFES SPEC NO: AJ-B0012AG
 EST WT: 1.46 LBS

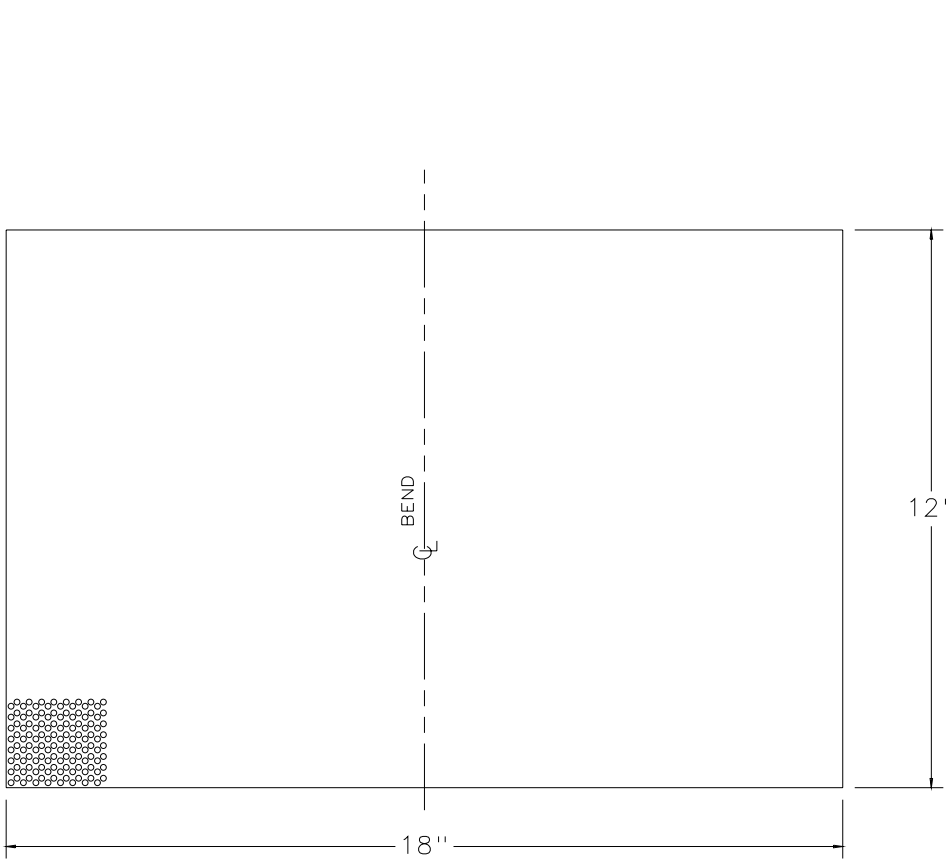
STD. TOLERANCES				DRAWN: R. GREENLAW		MICHIGAN DNR FOREST MANAGEMENT DIVISION
FRACTIONAL: 0 TO 6 IN. + - 1/32 6 IN AND UP + - 1/16				CHECKED: KDB		
DECIMAL: 1 PLACE + - 0.1 2 PLACE + - 0.01 3 PLACE + - 0.005		ANGULAR: + - 1 DEG		APPROVED:		
NO.	BY	DATE	REVISION			
FOREST FIRE EXPERIMENT STATION						
P.O. BOX 68 ROSCOMMON, MICHIGAN 48653						
TITLE: CHANNEL				SCALE: 1 = 2	DATE: 02 FEB 95	PROJECT NO.: 90-4 DWG NO.: 00-0979B

ITEM	PART NO	DWG	DESCRIPTION	QTY	EST WT
1	00-0353	C	STRAINER WALL	1	1.50
2	00-0354	B	FLANGE, STRAINER	1	0.22
3	00-0355	A	BOTTOM, STRAINER	1	0.32
4	00-0356	B	STRIP	3	0.09

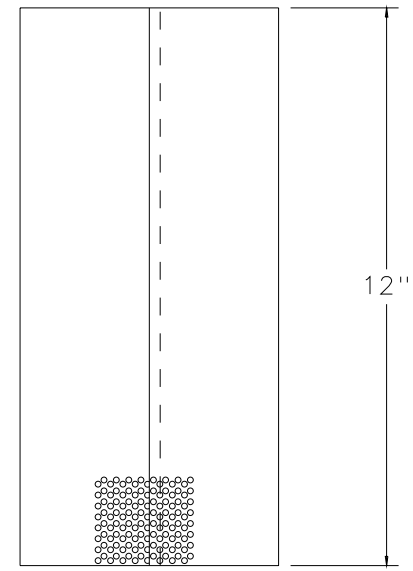
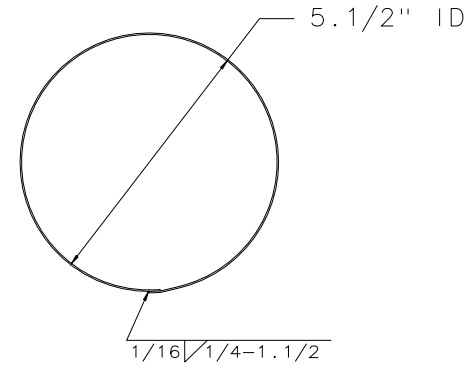


PART NUMBER: 23-0032
EST WT: 2.42 LBS

STD. TOLERANCES				DRAWN: KDB		MICHIGAN DNR FOREST MANAGEMENT DIVISION
FRACTIONAL: 8 IN AND UP **1/32				CHECKED: *		
6 IN AND UP **1/16				APPROVED:		
DECIMAL: 1 PLACE **0.1		ANGULAR: **1 DEG		NO. BY DATE		PROJECT NO.: 87-3
2 PLACE **0.01				REVISION		DWG. NO.: 23-0032C
3 PLACE **0.005						
FOREST FIRE EXPERIMENT STATION						
P.O. BOX 68 ROSCOMMON, MICHIGAN 48653						
TITLE: STRAINER, FILLER PORT				SCALE: 1/2	DATE: 5/15/89	



FLAT LAYOUT

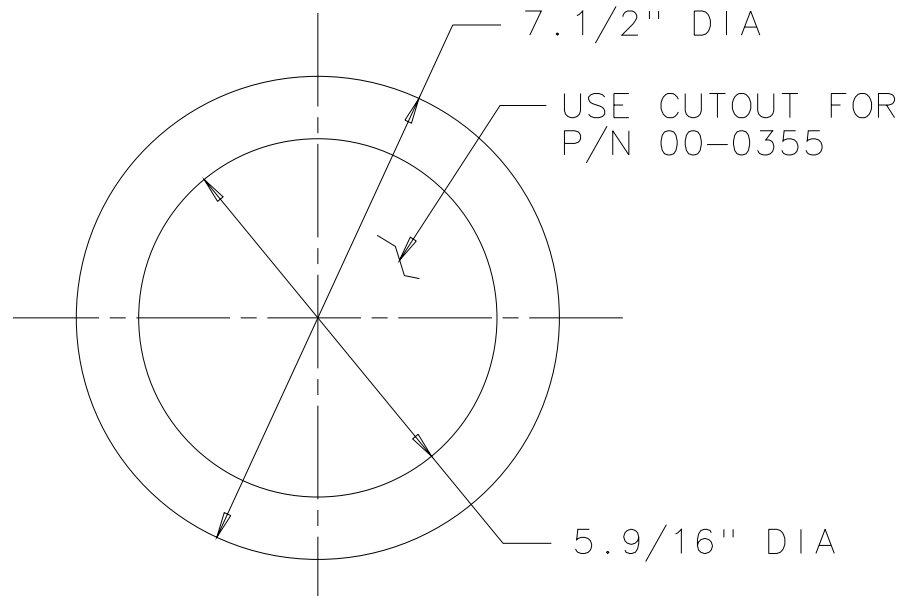
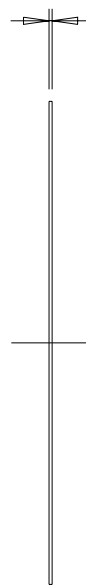


PART NO: 00-0353
 MATERIAL: SHEET, PERFORATED 20 GA 36 X 96
 1/8 DIA HOLES 40% OPEN
 UNS S30400
 FFES SPEC NO: AA-G2038BE
 EST WT: 1.50 LBS

NOTE: USE FIXTURE 18-0015

STD. TOLERANCES FRACTIONAL: 8 TO 6 IN --1/32 6 IN AND UP --1/16 DECIMAL: 1 PLACE --0.1 2 PLACE --0.01 3 PLACE --0.005 ANGULAR: --1 DEG		DRAWN: KDB CHECKED: * APPROVED:	MICHIGAN DNR FOREST MANAGEMENT DIVISION	
FOREST FIRE EXPERIMENT STATION P.O. BOX 68 ROSCOMMON, MICHIGAN 48653		PROJECT NO.: 87-3		
TITLE: STRAINER WALL		SCALE: 1/2	DATE: 5/12/89	DWG. NO. 00-0353C

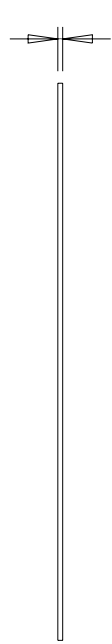
18 GA (.048)



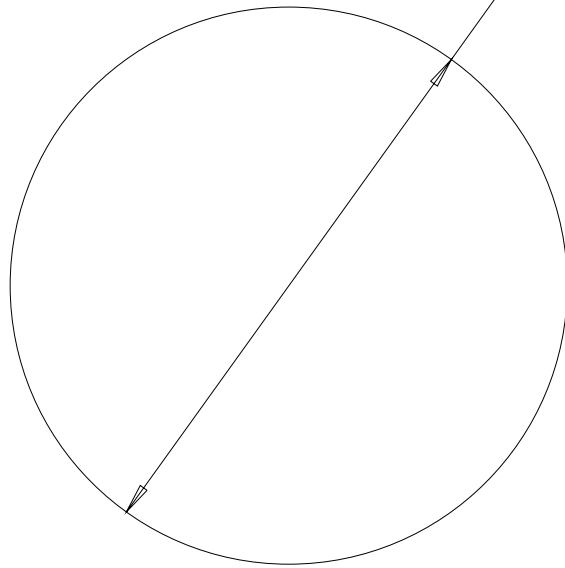
NOTE: USE TEMPLATE 18-0016

PART NUMBER: 00-0354
 MATERIAL: SHEET 18 GA (.048) STAINLESS
 UNS S30400
 FFES SPEC NO: AA-G1838AX
 EST WT: 0.27 LBS

STD. TOLERANCES						DRAWN: KDB		MICHIGAN DNR FOREST MANAGEMENT DIVISION
FRACTIONAL: Ø TO 6 IN. ±1/32 6 IN AND UP ±1/16						CHECKED: *		
DECIMAL: ANGULAR:						APPROVED:		
1 PLACE ± 0.1 ± 1 DEG 2 PLACE ± 0.01 3 PLACE ± 0.005				NO.	BY	DATE	REVISION	
FOREST FIRE EXPERIMENT STATION								PROJECT NO.: 87-3
P.O. BOX 68 ROSCOMMON, MICHIGAN 48653								
TITLE: FLANGE, STRAINER						SCALE: 1/2	DATE: 5/15/89	DWG. NO. 00-0354B



18 GA (.048)

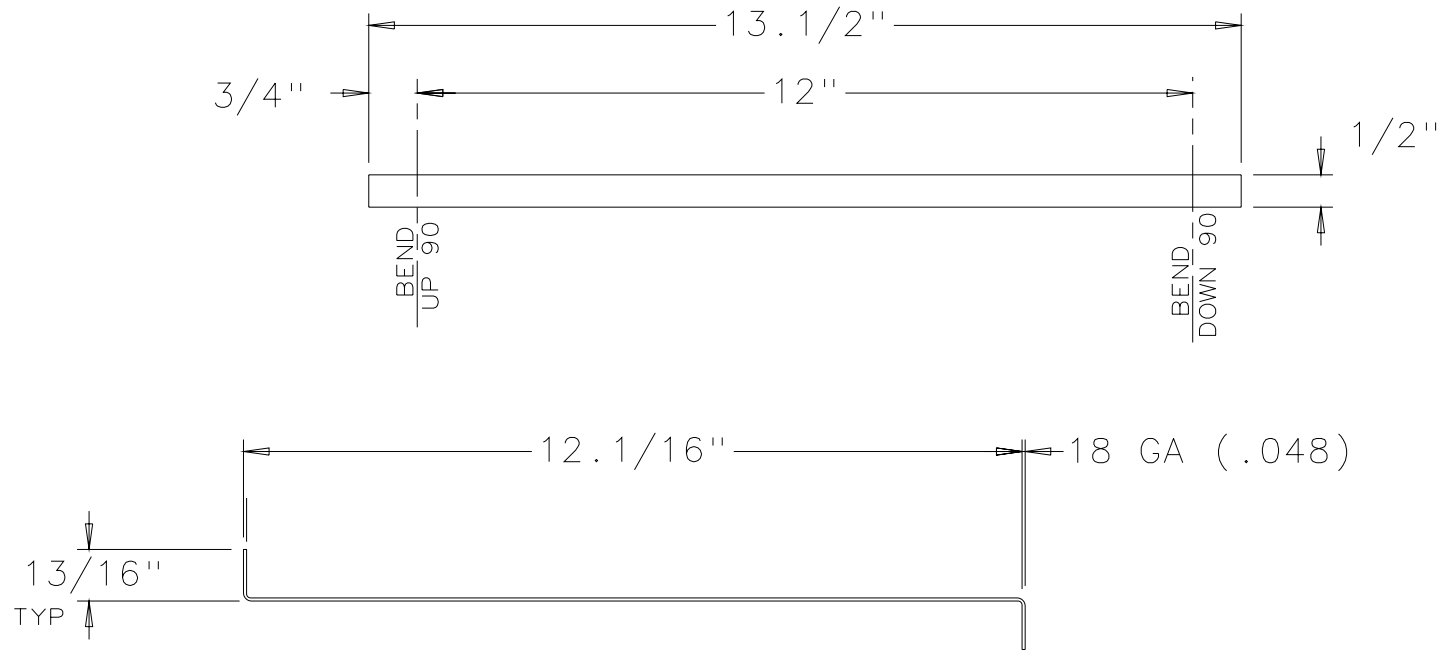


5.1/2" DIA

NOTE: USE TEMPLATE
18-0016

PART NUMBER: 00-0355
 MATERIAL: SHEET 18 GA (.048)
 STAINLESS
 UNS S30400
 FFES SPEC NO: AA-G1838AX
 EST WT: 0.32 LBS

STD. TOLERANCES FRACTIONAL: 0 TO 6 IN +-1/32 6 IN AND UP +-1/16 DECIMAL: 1 PLACE +- 0.1 2 PLACE +- 0.01 3 PLACE +- 0.005 ANGULAR: +- 1 DEG						DRAWN: KDB	MICHIGAN DNR FOREST MANAGEMENT DIVISION
						CHECKED: *	
						APPROVED:	
	NO.	BY	DATE	REVISION			
FOREST FIRE EXPERIMENT STATION P.O. BOX 68 ROSCOMMON, MICHIGAN 48653							PROJECT NO.: 87-3
TITLE: BOTTOM, STRAINER					SCALE: 1/2	DATE: 5/15/89	DWG. NO. 00-0355A



PART NUMBER: 00-0356
 MATERIAL: SHEET 18 GA (.048) STAINLESS
 UNS S30400
 FFES SPEC NO: AA-G1838AX
 EST WT: 0.09 LBS

STD. TOLERANCES FRACTIONAL: 0 TO 6 IN. $\pm 1/32$ 6 IN AND UP $\pm 1/16$ DECIMAL: 1 PLACE ± 0.1 2 PLACE ± 0.01 3 PLACE ± 0.005 ANGULAR: ± 1 DEG						DRAWN: KDB	MICHIGAN DNR FOREST MANAGEMENT DIVISION	
						CHECKED: *		
						APPROVED:		
NO. BY DATE REVISION						FOREST FIRE EXPERIMENT STATION P. O. BOX 68 ROSCOMMON, MICHIGAN 48653		PROJECT NO.: 87-3
TITLE: STRIP						SCALE: 1/2	DATE: 5/15/89	DWG. No. 00-0356B